



**itc PA speaker  
Catalogue V.21**

Guangzhou Baolun Electronics Co., Ltd

Building A13-1 Yiku Industrial Park, The Hills, Dongyi Road Panyu District Guangzhou China 511492

Tel: +86-20-34549655, 84593197, 31104730, 31104729 Fax: +86-20-84548799

Website: [www.itctech.com.cn](http://www.itctech.com.cn) E-mail: [info@itc-pa.com.cn](mailto:info@itc-pa.com.cn)

\* Specifications are subject to change without notice.

# PROJECT REFERENCE



Marino Beach Hotel , Sri Lanka.



International Airport Terminal Project, Nigeria .



Calamba Medical Center, Philippines.



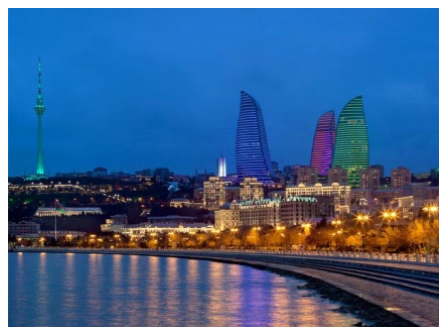
Swimming Pool Center, Algeria.



ONE CITY Shopping Centre, Brunei.



Creblo Restaurant in Palestine.



Residential Building of Flame Tower , Azerbaijan.



General hospital of Hoa Binh City, Vietnam.



Expo 2016, Turkey



Tandag Airport, Philippines.



Iloilo Airport, Philippines .



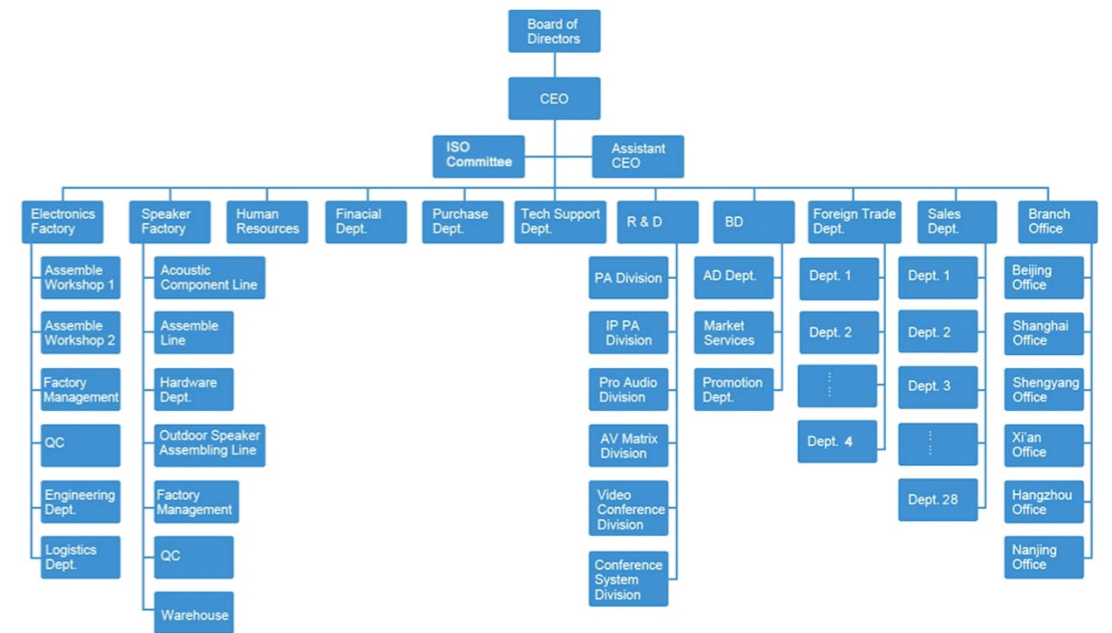
JIO Shopping Mall, India.



# Company Introduction

ITC is the No. 1 manufacturer of audiovisual & lighting system in China for more than 28 years. ITC owns three headquarter buildings totally 15 floors, one R&D center building 5 floors, and four factories. We have 600 R&D engineers, 900 pre-sales and after sales engineers, 75 sales department all total 6000 employees. ITC can provide integrated solution from PA system, IP intercom system, Alarm system, Professional sound system, HD video conference system, LED screen, central control system, ITC stage light & architecture light etc. We are the official supplier for important events like 2008 Beijing Olympic Games, 2010 Shanghai World Expo, 2010 Guangzhou Asian Games, 2016 Hangzhou G20 Summit, Turkey expo, Guyana national conference, India subway, Uzbekistan national defense conference, Five Nigeria national airport and many other key projects. Our worldwide successful projects are about one million cases. All of our products are developed and manufactured by ourselves. We have 600 high educated R&D engineers who study the market demand and develop suitable products. Our products are compliant with CE, Rohs, EN54, UL, CCC, NOM certificate.

## Company Organization



## Our Production Lines

A group of highest technology equipments are used to strengthen the reliability and output capacity: SMT machine, reflow oven & numerical control cutting machine. 95% PCB of the equipments are made by SMT machine to ensure quality consistency and higher reliability. The numerical cutting machines enhance the equipments in elaborate & elegant level. A comprehensive process of tests are involved: drop test, vibration test, aging, Hipot & RoHS test.

## Certificates:

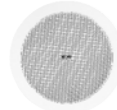
CCC, ISO9001, CE & RoHS, IEC60914. Parts of our product are complied with certificates: CB, SASO, ETL, UL, FCC, EN54-16 and EN54-24. Parts of loudspeakers are certified by waterproof, dustproof, fire-proof & explosion-proof.



# CONTENTS



Project Reference	→	01
Company Introduction	→	02
Best Seller	→	04
About US	→	05-07
Certifications	→	08



CEILING SPEAKER → 09-30



ACTIVE LOUDSPEAKER → 31-32



WALL MOUNT SPEAKER → 33-43



OUTDOOR PROJECTION SPEAKER → 44-48



PENDENT SPEAKER → 49-50



OUTDOOR & INDOOR COLUMN SEAKER → 51-54



COLUMN SPEAKER → 55-61



GARDEN SPEAKER → 61-69

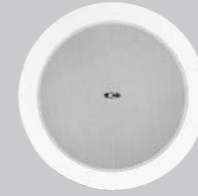


COMPACT LINEAR ARRAY SPEAKER → 70

Best Seller



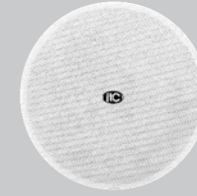
Ceiling Speaker  
Model: T-106U  
Page: 104



Ceiling Speaker  
Model: T-105  
Page: 105



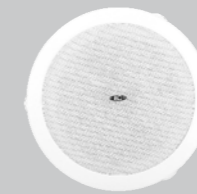
Ceiling Speaker (Frameless Speaker)  
Model: T-205T  
Page: 117



Ceiling Speaker  
Model: T-206A  
Page: 111



Outdoor Column Speaker  
Model: T-105C  
Page: 119



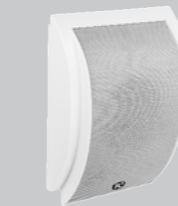
Active Wall Mount Speaker  
Model: T-775A  
Page: 121



Wall Mount Speaker  
Model: T-601  
Page: 125



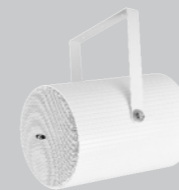
Wall Mount Speaker  
Model: T-611/T-612  
Page: 126



Wall Mount Speaker  
Model: T-775H  
Page: 129



Uni-directional Projection Loudspeaker  
Model: T-770  
Page: 134



Weatherproof Horn Speaker  
Model: T-720A  
Page: 135



Weatherproof Horn Speaker(Music Horn)  
Model: T-710K  
Page: 136



Pendant Loudspeaker  
(360 Degree Dispersion)  
Model: T-600W  
Page: 141



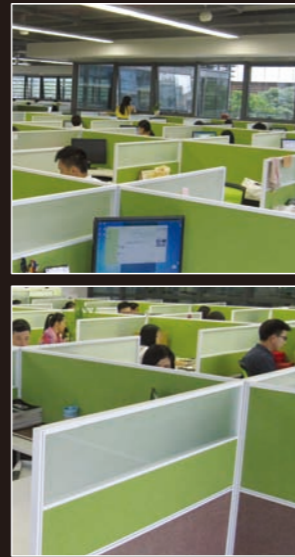
Outdoor Column Speaker  
Model: T-702A  
Page: 142



Garden Speaker  
Model: T-300  
Page: 147



Office



Factory



Factory



## Showroom



## Exhibitions



## Seminar



## Certifications



Ceiling Speaker  
T-104  
T-105  
T-106

**ECONOMIC  
& HOT**



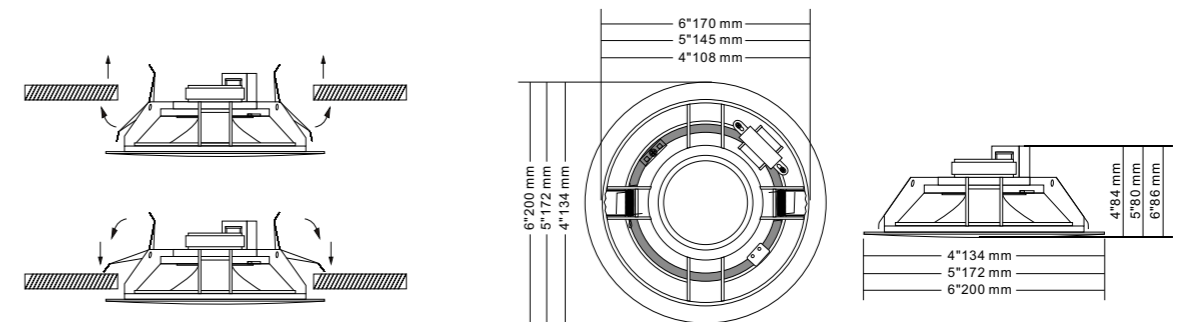
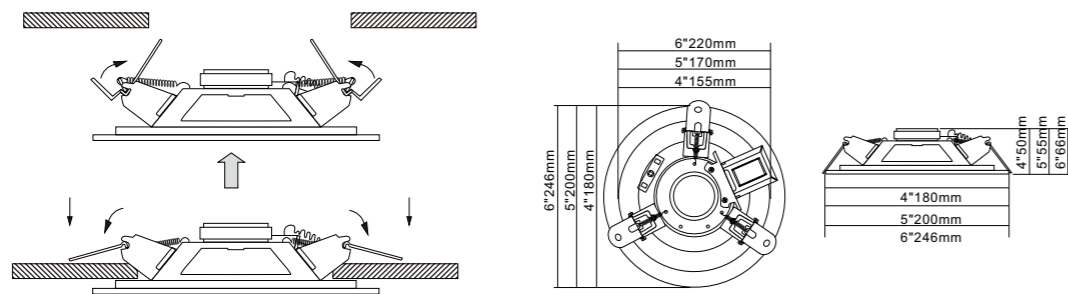
Ceiling Speaker  
T-104U  
T-105U

**ECONOMIC  
& HOT**



**Features**

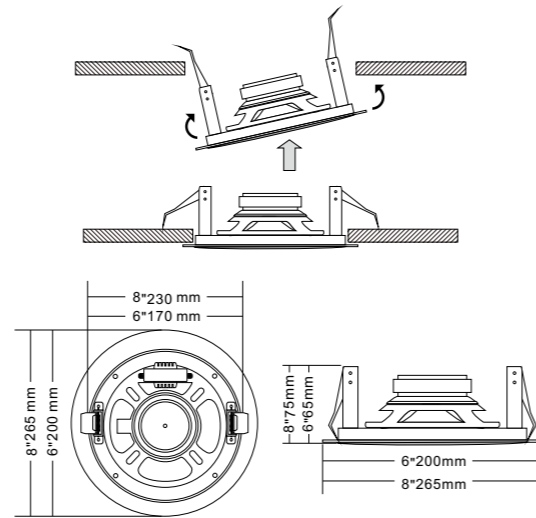
High quality ceiling speaker, plastic basin frame, spring pressing system, convenient installation. It is suitable for hotels, hotels, clubs and so on.



Model	T-104	T-105	T-106
Power taps @100V	1.5W, 3W, 6W	1.5W, 3W, 6W	3W, 6W, 9W
Power taps @70V	0.75W, 1.5W, 3W,	0.75W, 1.5W, 3W	1.5W, 3W, 4.5W
Impedance	Black: Com Red:6.7KΩ Green:3.3KΩ White:1.7KΩ	Black: Com Red: 6.7KΩ/ Green : 3.3KΩ/ White: 1.7KΩ	Black: Com Red: 3.3KΩ Green : 1.7KΩ White: 1.1KΩ
SPL(1W/1M)	92dB	92dB	92dB
Frequency response (-10dB)	130-16KHz	110-18KHz	110-18KHz
Speaker driver	4" x 1	5" x 1	6" x 1
Cutout size	155mm	170mm	220mm
Dimensions	180 x 50mm	200 x 55mm	246 x 66mm
Weight	0.7Kg	0.8Kg	1Kg

Model	T-104U	T-105U
Power taps @100V	1W, 2W, 3W	1.5W, 3W, 6W
Power taps @70V	0.5W, 1W, 1.5W,	0.75W, 1.5W, 3W
Impedance	Black: Com Red:10KΩ Green:5KΩ White:3.3KΩ	Black: Com Red: 6.7KΩ Green: 3.3KΩ White: 1.7KΩ
SPL(1W/1M)	88dB	89dB
Frequency response (-10dB)	100-16KHz	80-18KHz
Speaker driver	4" x 1	5" x 1
Cutout size	108mm	145mm
Dimensions	134 x 84mm	172 x 80mm
Weight	0.5Kg	0.75Kg

Ceiling Speaker  
T-105L  
Coaxial Speaker  
T-108L



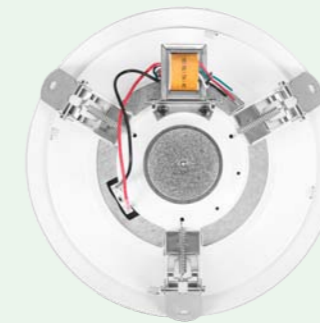
Material: metal shell + metal grill

Features

High quality ceiling speaker, full frequency speaker design, spring foot system, easy to install. Suitable for shopping malls, hotels, etc.

Model	T-105L	T-108L
Power taps @100V	1.5W, 3W, 6W	1.87W, 3.75W, 7.5W, 15W
Power taps @70V	0.75W, 1.5W, 3W	0.93W, 1.87W, 3.75W, 7.5W
Impedance	Black: Com Red:6.7Ω Green:3.3KΩ White:1.7KΩ	90dB
SPL(1W/1M)	88dB±3dB	Black: COM Blue:5.3KΩ Red:2.7KΩ Green:1.3KΩ White:0.67KΩ
Frequency response (-10dB)	110-15KHz	90-20KHz
Speaker driver	6" x 1	8" x 1 1" x 1
Cutout size	170mm	230mm
Dimensions	200 x 65mm	265 x 75mm
Weight	0.9Kg	1.2Kg

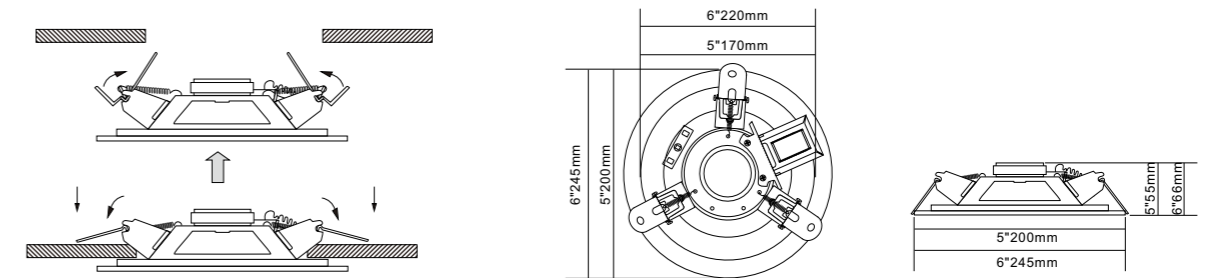
Ceiling Speaker (With Tweeter)  
T-105A  
T-106A



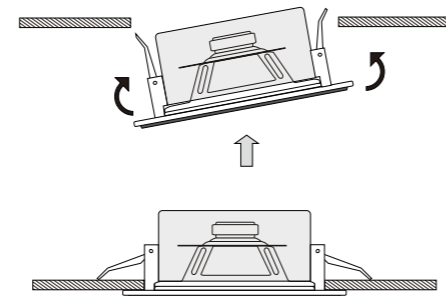
Material: metal shell + aluminum grill

Features

Coaxial high-pitched design, strong spring fixed, easy and simple installation.



Ceiling Speaker  
T-105F

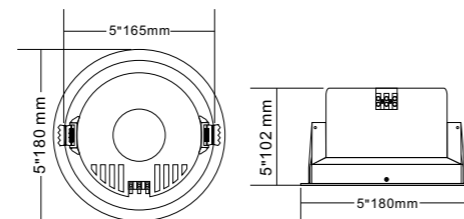


Material: plastic shell + aluminum grill

Features

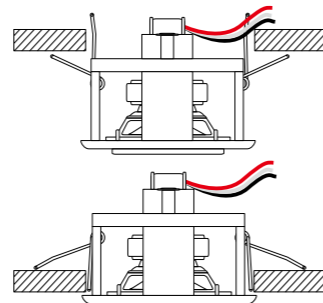
Full frequency indoor ceiling speaker, full audio speaker unit can be used in hospitals, hotels, shopping malls, etc.

Model	T-105F
Power taps @100V	3W, 6W
Power taps @70V	1.5W, 3W
Impedance	Com/ 3.3KΩ / 1.7KΩ
SPL(1W/1M)	89dB
Frequency response (-10dB)	100-16KHz
Speaker driver	5" x 1
Cutout size	165mm
Dimensions	180 x 102mm
Weight	0.7Kg



Model	T-105A	T-106A
Power taps @100V	1.5W, 3W, 6W	3W, 6W, 9W
Power taps @70V	0.75W, 1.5W, 3W	1.5W, 3W, 4.5W
Impedance	Black: Com Red: 6.7 KΩ Green:3.3KΩ White:1.7KΩ	Red: 3.3KΩ Green: 1.7KΩ White: 1.1KΩ
SPL(1W/1M)	94dB	94dB
Frequency response (-10dB)	110-18KHz	110-18KHz
Speaker driver	5" x 1 1.5" x 1	6" x 1 1.5" x 1
Cutout size	170mm	220mm
Dimensions	200 x 55mm	245 x 65mm
Weight	0.8Kg	1Kg

Mini Ceiling Speaker  
T-103C

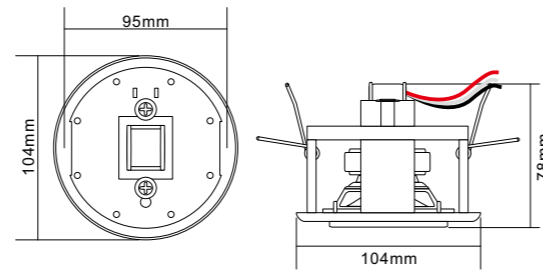


Material: plastic shell + aluminum grill

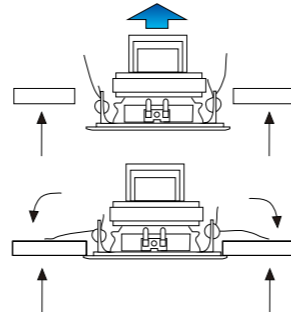
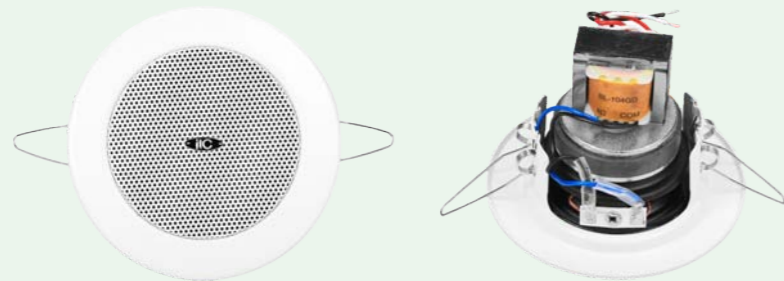
Features

Small caliber indoor ceiling speaker, using 3 inch full frequency high-quality speaker unit, high-grade and beautiful appearance, movable clip design, easy to install.

<b>Model</b>	T-103C
<b>Power taps @100V</b>	3W, 6W
<b>Power taps @70V</b>	1.5W, 3W
<b>Impedance</b>	Black:Com White:3.3KΩ Red:1.7KΩ
<b>SPL(1W/1M)</b>	88dB
<b>Frequency response (-10dB)</b>	120-20KHz
<b>Speaker driver</b>	3" x 1
<b>Cutout size</b>	95mm
<b>Dimensions</b>	104 x 78mm
<b>Weight</b>	0.5Kg



Ceiling Speaker  
T-103G

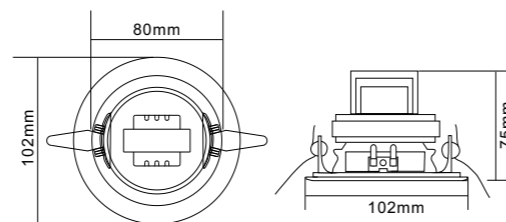


Material: aluminum grill

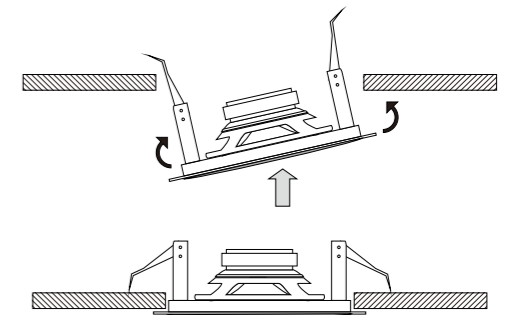
Features

High quality ceiling speaker, small caliber speaker unit, white paint, can be well integrated with the environment. Suitable for hotels, clubs, etc.

<b>Model</b>	T-103G
<b>Power taps @100V</b>	3W, 6W
<b>Power taps @70V</b>	1.5W, 3W
<b>Impedance</b>	Black: Com White: 3.3KΩ Red: 1.7KΩ
<b>SPL(1W/1M)</b>	89dB
<b>Frequency Response (-10dB)</b>	120-20KHz
<b>Speaker Driver</b>	3" x 1
<b>Cutout Size</b>	80mm
<b>Dimensions</b>	102 x 75mm
<b>Weight</b>	0.4Kg



Ceiling Speaker  
T-105M

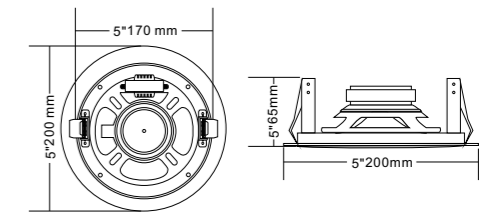


Material: metal grill

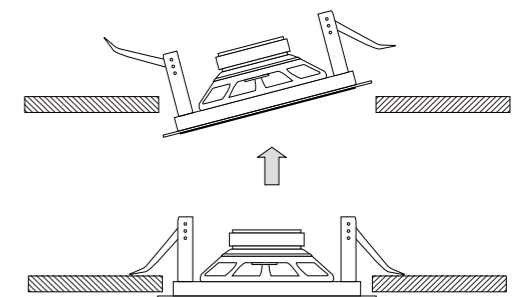
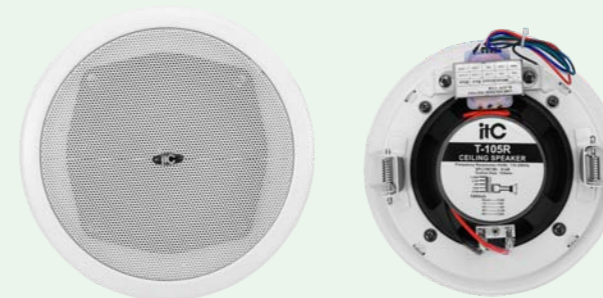
Features

High quality ceiling speaker, plastic basin frame, spring pressing system, convenient installation. It is suitable for hotels, hotels, clubs and so on.

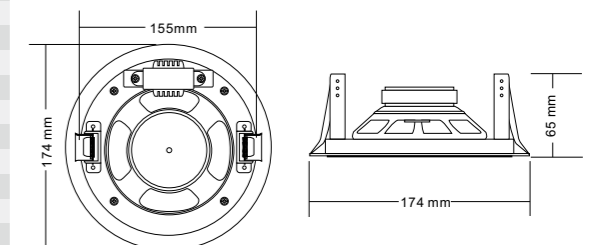
<b>Model</b>	T-105M
<b>Power taps @100V</b>	1.5W, 3W, 6W
<b>Power taps @70V</b>	0.975W, 1.5W, 3W
<b>Impedance</b>	Black: Com Red:6KΩ Green:3.3KΩ Blue:1.3KΩ
<b>SPL (Rated W/1M)</b>	88dB
<b>Frequency response (-10dB)</b>	110-15KHz
<b>Finish</b>	Cover: Steel, White Grille: Steel, White
<b>Speaker driver</b>	5" x 1
<b>Cutout size</b>	170mm
<b>Dimensions</b>	200 x 100mm
<b>Weight</b>	1kg



5" Ceiling Loudspeaker  
T-105R

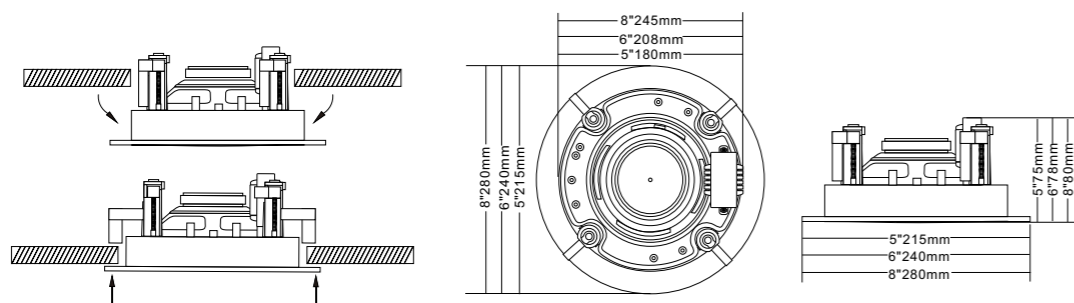


<b>Model</b>	T-105R
<b>Power taps (100V)</b>	1.25W, 2.5W, 5W, 10W
<b>Power taps (70V)</b>	0.63W, 1.25W, 2.5W, 5W
<b>Impedance</b>	8KΩ, 4KΩ, 2KΩ, 1KΩ
<b>Sensitivity (1W/1M)</b>	91dB
<b>Max SPL (W/1M)</b>	104dB
<b>Frequency response (-10dB)</b>	110-20KHz
<b>Finish</b>	Baffle: Steel, White Grille: Steel, White
<b>Driver unit</b>	5" x 1
<b>Cutout size</b>	155mm
<b>Dimension</b>	174 x 65mm
<b>Weight</b>	0.85Kg



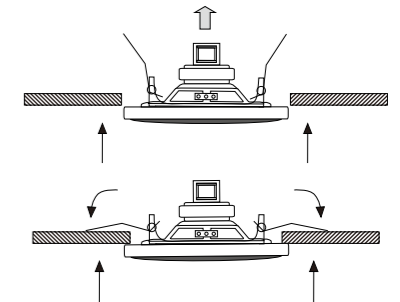
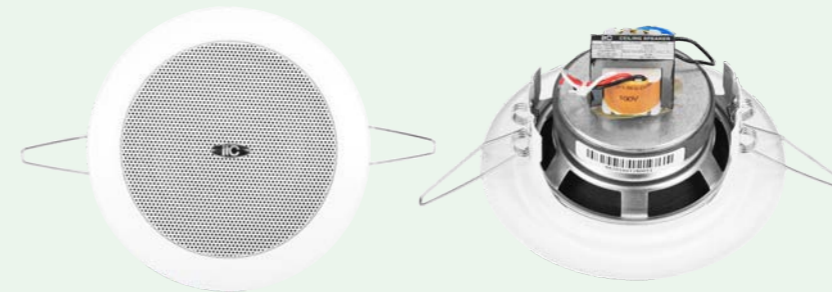
Ceiling Speaker (Coaxial Speaker)  
**T-205A**  
**T-206A**  
**T-208A**

**ECONOMIC  
& HOT**



Model	T-205A	T-206A	T-208A
<b>Power taps @100V</b>	1.25W, 2.5W, 5W, 10W	2.5W, 5W, 10W, 20W	3.75W, 7.5W, 15W, 30W
<b>Power taps @70V</b>	0.65W, 1.25W, 2.5W, 5W	1.25W, 2.5W, 5W, 10W	1.87W, 3.75W, 7.5W, 15W
<b>Impedance</b>	Black: Com Blue: 8KΩ Red: 4KΩ Green: 2KΩ White: 1KΩ	Black: Com Blue: 4KΩ Red: 2KΩ Green: 1KΩ White: 500Ω	Black: Com Blue: 2.6KΩ Red: 1.3KΩ Green: 670Ω White: 330Ω
<b>SPL(1W/1M)</b>	89dB	92dB	94dB
<b>Max. SPL (Rated W/1M)</b>	99dB	105dB	109dB
<b>Frequency response (-10dB)</b>	80-20KHz	70-20KHz	60-20KHz
<b>Finish</b>	Baffle: ABS, White Grille: Steel, White	Baffle: ABS, White Grille: Steel, White	Baffle: ABS, White Grille: Steel, White
<b>Speaker driver</b>	5" x 1 1.5" x 1	6" x 1 1.5" x 1	8" x 1 1.5" x 1
<b>Cutout size</b>	180mm	208mm	245mm
<b>Dimensions</b>	215 x 75mm	240 x 78mm	280 x 80mm
<b>Weight</b>	0.8Kg	1.2Kg	1.6Kg
<b>Mounting</b>	Flush-mount dog ears	Flush-mount dog ears	Flush-mount dog ears

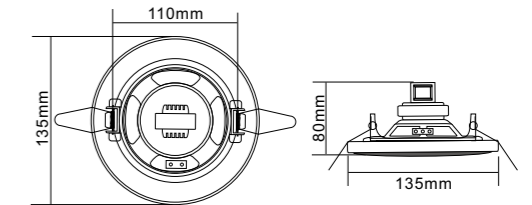
Ceiling Speaker  
**T-104G**



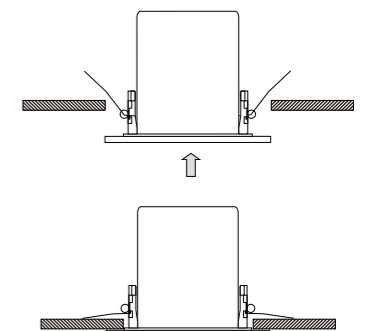
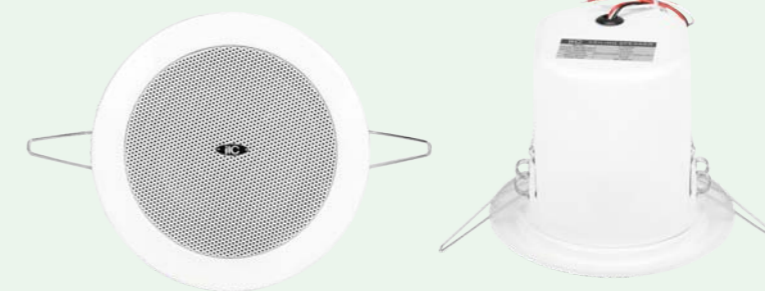
**Features**

High quality ceiling speaker, small caliber speaker unit, white paint, can be well integrated with the environment. Applicable to hotels, clubs, etc.

<b>Model</b>	T-104G
<b>Power taps @100V</b>	3W, 6W
<b>Power taps @70V</b>	1.5W, 3W
<b>Impedance</b>	Black: Com White: 3.3KΩ Red: 1.7KΩ
<b>SPL(1W/1M)</b>	90dB
<b>Frequency response (-10dB)</b>	90-18KHz
<b>Finish</b>	Baffle: Steel, White Grille: Steel, White
<b>Speaker driver</b>	4" x 1
<b>Cutout size</b>	110mm
<b>Dimensions</b>	135 x 80mm
<b>Weight</b>	0.5Kg
<b>Mounting</b>	Spring-clip



Ceiling Speaker  
**T-104GK**

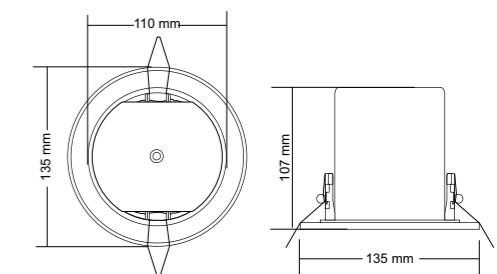


Material: metal grill

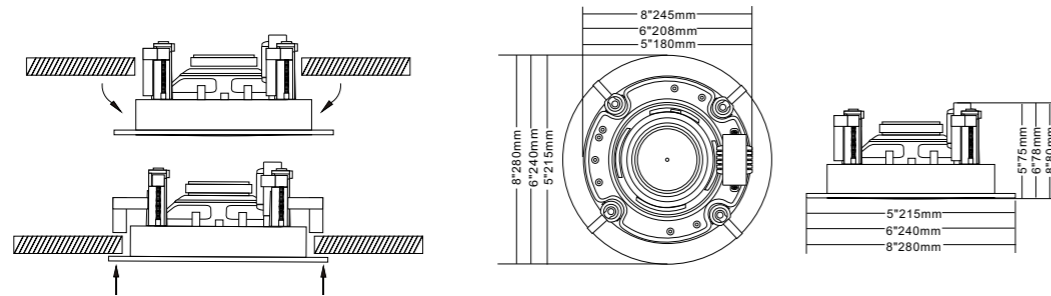
**Features**

High quality ceiling, 4 inch speaker unit, white paint. Waterproof unit with iron rear cover. Applicable to hotels, clubs, etc.

<b>Model</b>	T-104GK
<b>Power taps @100V</b>	3W, 6W
<b>Power taps @70V</b>	1.5W, 3W
<b>Impedance</b>	Black: Com White: 3.3KΩ Red: 1.7KΩ
<b>SPL(1W/1M)</b>	90dB
<b>Frequency response (-10dB)</b>	90-18KHz
<b>IP rate</b>	IP66
<b>Speaker driver</b>	4" x 1
<b>Cutout size</b>	110mm
<b>Dimensions</b>	135 x 107mm
<b>Weight</b>	0.7Kg



Ceiling Speaker  
T-205BC  
T-206BC  
T-208BC



Model	T-205BC	T-206BC	T-208BC
Power Taps @100V	0.75W, 1.5W, 3W, 6W	1.25W, 2.5W, 5W, 10W	1.87W, 3.75W, 7.5W, 15W
Power Taps @70V	0.38W, 0.75W, 1.5W, 3W	0.62W, 1.25W, 2.5W, 5W	0.93W, 1.87W, 3.75W, 7.5W
Impedance	Black: Com Blue: 13.3KΩ Red: 6.7KΩ Green: 3.3KΩ White: 1.7KΩ	Black: Com Blue: 8KΩ Red: 4KΩ Green: 2KΩ White: 1KΩ	Black: Com Blue: 5.3KΩ Red: 2.6KΩ Green: 1.3KΩ White: 670Ω
SPL(1W/1M)	88dB	89dB	90dB
Max. SPL (Rated W/1M)	96dB	99dB	102dB
Frequency Response (-10dB)	80-20KHz	80-20KHz	80-20KHz
Finish	Baffle: ABS, White Grille: Steel, White	Baffle: ABS, White Grille: Steel, White	Baffle: ABS, White Grille: Steel, White
Speaker Driver	5" x 1	6" x 1	8" x 1
Cutout Size	180mm	208mm	245mm
Dimensions	215 x 75mm	240 x 78mm	280 x 80mm
Weight	0.5Kg	0.9Kg	1.4Kg
Mounting	Flush-mount dog ears	Flush-mount dog ears	Flush-mount dog ears

Ceiling Speaker (Coaxial Speaker)  
T-205B  
Ceiling Speaker  
T-206B  
T-208B

**ECONOMIC & HOT**



T-205B  
Material: plastic shell + metal grill

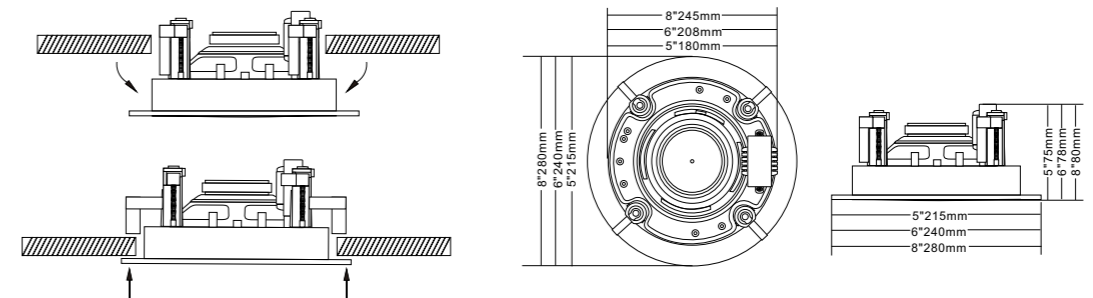
**Features**  
Round plastic basin frame, coaxial high-pitched design, multi-power selection. The sound is clear and bright. With screw fixed presser foot design, can be installed on the ceiling of different thickness. Applicable to hotels, shopping malls, supermarkets, etc.

T-206B  
Material: plastic shell + metal grill

**Features**  
Round plastic basin stand, coaxial high-pitched design, multi-power selection, clear and bright sound. With screw fixed presser foot design, can be installed on the ceiling of different thickness. Applicable to hotel, shopping mall, supermarket, etc.

T-208B  
Material: plastic shell + metal grill

**Features**  
Round plastic shell, coaxial high-pitched design, multi-power selection; The sound is clear and bright; With screw fixed presser foot design, can be installed on the ceiling of different thickness. Applicable to hotels, shopping malls, supermarkets, etc.



Model	TT-205B	T-206B	T-208B
Power taps @100V	0.75W, 1.5W, 3W, 6W	1.25W, 2.5W, 5W, 10W	1.87W, 3.75W, 7.5W, 15W
Power taps @70V	0.38W, 0.75W, 1.5W, 3W	0.62W, 1.25W, 2.5W, 5W	0.93W, 1.87W, 3.75W, 7.5W
Impedance	Black: Com Blue: 13.3KΩ Red: 6.7KΩ Green: 3.3KΩ White: 1.7KΩ	Black:Com Blue:8KΩ Red:4KΩ Green:2KΩ White:1KΩ	Black:Com Blue:5.3KΩ Red:2.6KΩ Green:1.3KΩ White:670Ω
SPL(1W/1M)	88dB	89dB	90dB
Frequency response (-10dB)	80-20KHz	80-20KHz	80-20KHz
Speaker driver	5" x 1 1.5" x 1	6" x 1 1.5" x 1	8" x 1 1.5" x 1
Cutout size	180mm	208mm	245mm
Dimensions	215 x 75mm	240 x 78mm	280 x 80mm
Weight	0.6Kg	1Kg	1.5Kg

**Ceiling Speaker**  
**T-205**  
**T-206**  
**T-208**



**T-205**  
 Material: plastic shell + metal grill

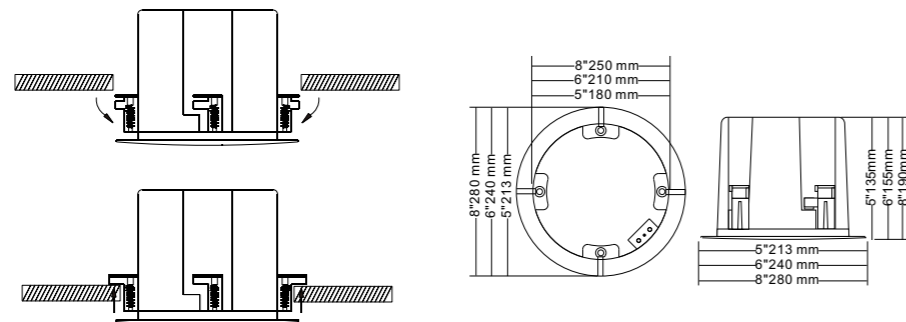
**Features**  
 Indoor high-grade ceiling speakers, plastic flame retardant unit to protect the back cover. With air vent design, make the sound perfectly reproduce. Applicable to hotel, clubs, etc.

**T-206**  
 Material: plastic shell + metal grill

**Features**  
 Indoor high-grade ceiling speakers, plastic flame retardant unit to protect the back cover. With air vent design, make the sound perfectly reproduce. Applicable to hotels, clubs, etc.

**T-208**  
 Material: plastic shell + metal grill

**Features**  
 Indoor high-grade ceiling speakers, plastic flame retardant unit to protect the back cover. Fix the presser foot system with screws. With vent design, perfect reproduction of sound. Applicable to: hotels, hotels, clubs, etc.



Model	T-205	T-206	T-208
Power taps @100V	20W	30W	40W
Power taps @70V	10W	15W	20W
Impedance	Black: Com Red: 500Ω	Black: Com Red: 330Ω	Black: Com Red: 250Ω
SPL(1W/1M)	89dB ±3dB	90dB ±3dB	92dB ±3dB
Frequency response (-10dB)	100-20KHz	90-20KHz	80-20KHz
Speaker driver	4" x 1 1.5" x 1	5" x 1 1.5" x 1	6.5" x 1 1.5" x 1
Cutout size	180mm	210 mm	250mm
Dimensions	213 x 135mm	240 x 155mm	280 x 190mm
Weight	1.8Kg	2Kg	2.7Kg

**HIFI Ceiling Speaker (Coaxial Constant Impedance)**  
**T-205F**  
**T-206F**  
**T-208F**



**T-205F**  
 Material: plastic shell + metal grill

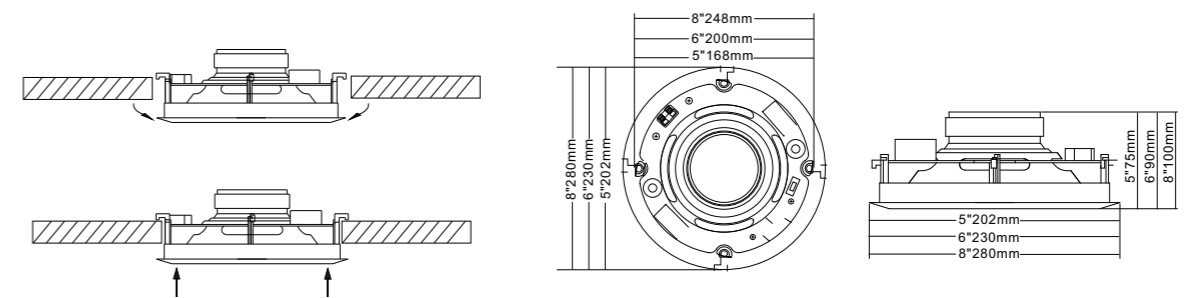
**Features**  
 High-grade indoor ceiling speakers, using 2 frequency division design; Fibre waterproof basin, aluminum film high pitch, high fidelity restore human voice. Suitable for high-end hotels, clubs and business buildings.

**T-206F**  
 Material: plastic shell + metal grill

**Features**  
 High-grade indoor ceiling speaker, using 2 frequency division design; Fiber waterproof basin, aluminum film high pitch, high fidelity restore human voice. Applicable to high-end hotels, clubs, business building

**T-208F**  
 Material: plastic shell + metal grill

**Features**  
 The high-end indoor ceiling speaker adopts the 2-frequency design, fiber waterproof basin structure, and aluminum film tweeter. It supports the high-fidelity restoration of human voice. It is suitable for high-end hotels, clubs and business buildings.



Model	T-205F	T-206F	T-208F
Rated power	10W	20W	30W
Impedance	Black: Com Red: 8Ω	Black: Com Red: 8Ω	Black: Com Red: 8Ω
SPL(1W/1M)	83dB	85dB	92dB
Frequency response (-10dB)	90-17KHz	60-18KHz	60-18KHz
Speaker driver	5" x 1 1.5" x 1	6" x 1 1.5" x 1	8" x 1 1.5" x 1
Cutout size	168mm	200mm	248mm
Dimensions	202 x 75mm	230 x 90mm	280 x 100mm
Weight	1.1Kg	1.3Kg	1.8Kg

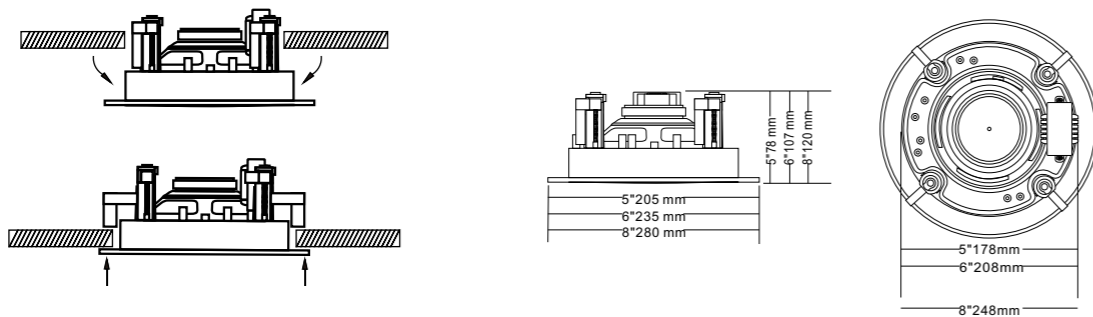
Ceiling Speaker (Frameless Speaker)  
**T-205T**  
**T-206T**  
**T-208T**



**T-205T**  
 Material: Material: plastic shell + metal grill

**T-206T**  
 Material: plastic shell + metal grill

**T-208T**  
 Material: plastic shell + metal grill



Model	T-205T	T-206T	T-208T
Rated power (100V)	1.25W, 2.5W, 5W, 10W	2.5W, 5W, 10W, 20W	3.75W, 7.5W, 15W, 30W
Rated power (70V)	0.65W, 1.25W, 2.5W, 5W	1.25W, 2.5W, 5W, 10W	1.87W, 3.75W, 7.5W, 15W
Impedance	Black: Com Blue: 8KΩ Red: 4KΩ Green: 2KΩ White: 1KΩ	Black: Com Blue: 4KΩ Red: 2KΩ Green: 1KΩ White: 500Ω	Black: Com Blue: 2.6KΩ Red: 1.3KΩ Green: 670Ω White: 330Ω
SP;(1W/1M)	91dB	92dB	94dB
Frequency response (-10dB)	80-20KHz	70-20KHz	60-20KHz
Speaker unit	5" x 1 1.5" x 1	6.5" x 1 1.5" x 1	8" x 1 1.5" x 1
Cutout size	178mm	208mm	248mm
Dimension	205 x 72mm	232 x 90mm	282 x 95mm
Weight	0.9Kg	1.3Kg	1.7Kg

Ceiling Speaker  
**T-205CW**  
**T-206CW**  
**T-208CW**



**T-205CW**  
 Material: plastic shell + metal grill + metal back cover

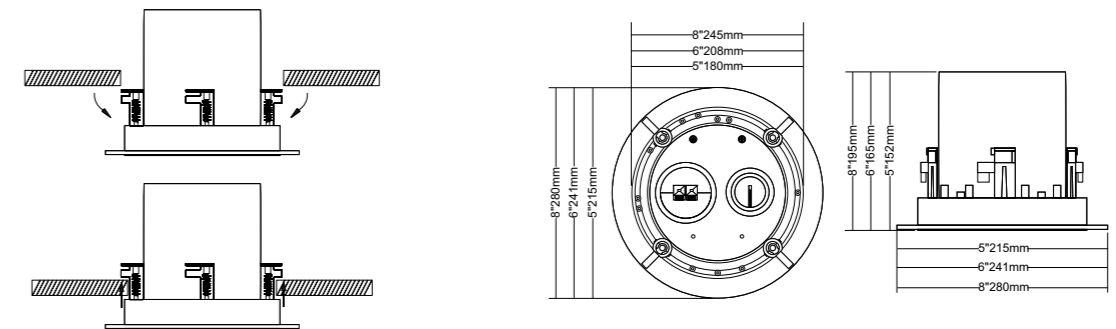
**T-206CW**  
 Material: plastic shell + metal grill + metal back cover

**T-208CW**  
 Material: plastic shell + metal grill + metal back cover

**Features**  
 Indoor high fidelity speaker, fully enclosed structure, iron flame retardant unit to protect the back cover, multiple power constant pressure and constant resistance selection. Fix the presser foot system with screws. Applicable to hotels, clubs, shopping malls and other indoor.

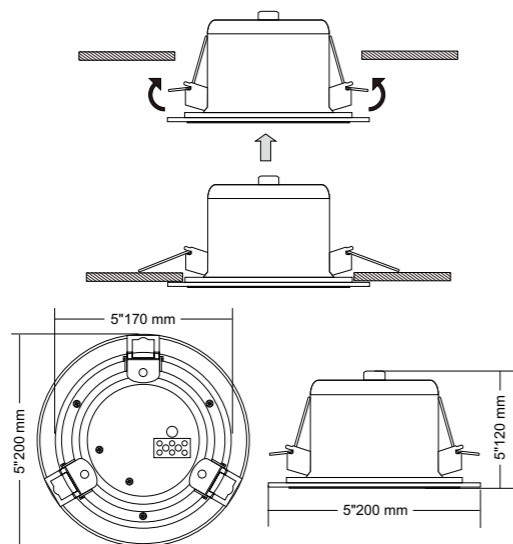
**Features**  
 Indoor high fidelity speaker, fully enclosed structure, iron flame retardant protective rear cover, multiple power constant pressure and constant resistance selection. Fix the presser foot system with screws. Applicable to hotels, clubs, shopping malls etc.

**Features**  
 Indoor high fidelity ceiling speaker, fully enclosed structure, iron flame retardant unit to protect the back cover, multiple power constant pressure and constant resistance selection. Fix the presser foot system with screws. Applicable to hotels, clubs, shopping malls etc.



Model	T-205CW	T-206CW	T-208CW
Power taps @100V	2.5W, 5W, 10W, 20W	3.8W, 7.5W, 15W, 30W	5W, 10W, 20W, 40W
Power taps @70V	1.25W, 2.5W, 5W, 10W, 20W	1.9W, 3.8W, 7.5W, 15W, 30W	2.5W, 5W, 10W, 20W, 40W
Impedance	4KΩ/2KΩ/1KΩ/500Ω/250Ω	2.6KΩ/1.3KΩ/670Ω/330Ω/165Ω	2KΩ/1KΩ/500Ω/250Ω/125Ω
Input	70V/100V/8Ω	70V/100V/8Ω	70V/100V/8Ω
SPL(1W/1M)	88dB ±3dB	89dB ±3dB	90dB±3dB
Frequency response (-10dB)	100-20KHz	100-20KHz	90-20KHz
Speaker driver	5" x 1 1.5" x 1	6" x 1 1.5" x 1	8" x 1 1.5" x 1
Cutout size	180mm	208mm	245mm
Dimensions	215 x 152mm	241 x 165mm	280 x 195mm
Weight	1.4Kg	1.6Kg	2.5Kg

Fireproof Ceiling Speaker  
T-105C



Material: metal shell + aluminum grill

Features

Indoor full audio ceiling speaker with flame retardant iron back cover, fireproof design. Spring presser foot system, convenient for users to install. Applicable to: fire, shops, supermarkets, hotels, etc.

Model	T-105C
Power Taps @100V	3W, 6W
Power Taps @70V	1.5W, 3W
Impedance	Com/3.3KΩ/1.7KΩ
SPL(1W/1M)	90dB
Max. SPL (Rated W/1M)	98dB
Frequency Response (-10dB)	110-18KHz
Speaker Driver	5" x 1
Fire test	Needle flame
Cutout Size	170mm
Dimensions	200 x 120mm
Weight	0.9Kg

Ceiling Speaker  
T-105S

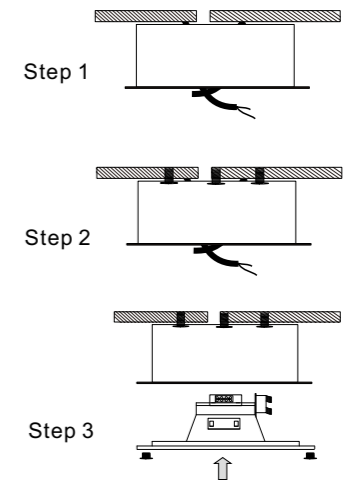
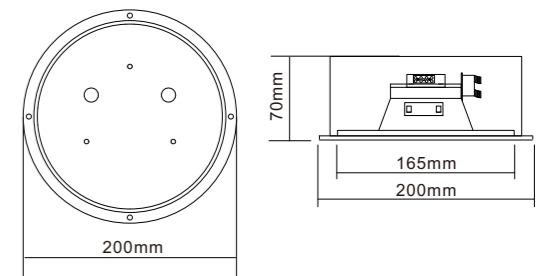


Material: metal shell + aluminum grill

Features

New high quality ceiling speaker, all iron metal shell, multiple power options. Applicable to hotels, hotels, clubs, etc.

Model	T-105S
Power taps @100V	3W, 6W, 9W
Power taps @70V	1.5W, 3W, 4.5W
Impedance	Black: Com Red:3.3KΩ Green:1.7KΩ White:1.1KΩ
SPL(1W/1M)	94dB
Max. SPL (Rated W/1M)	104dB
Frequency response (-10dB)	110-18KHz
Speaker driver	5" x 1
Dimensions	200 x 70mm
Weight	0.71Kg



Surface Mount Ceiling Speaker  
T-105T

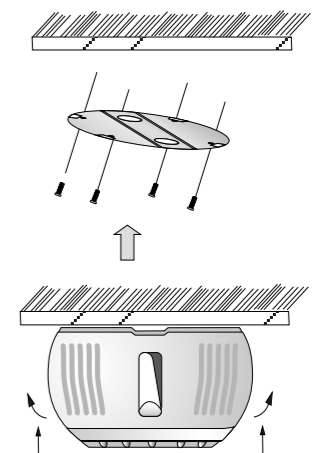
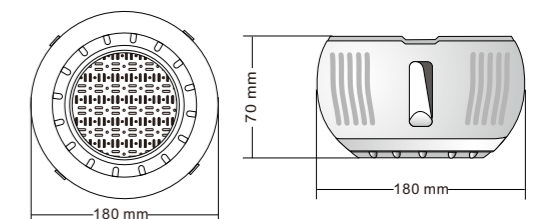


Material: plastic shell + plastic grill

Features

High quality ceiling speakers installed, simple and convenient, suitable for hotels, clubs and so on.

Model	T-105T
Power taps @100V	3W
Power taps @70V	1.5W
Impedance	Black: Com Red: 3.3KΩ
SPL(1W/1M)	92dB
Frequency response (-10dB)	110-16KHz
Speaker driver	4" x 1
Dimensions	180 x 70mm
Weight	0.6Kg



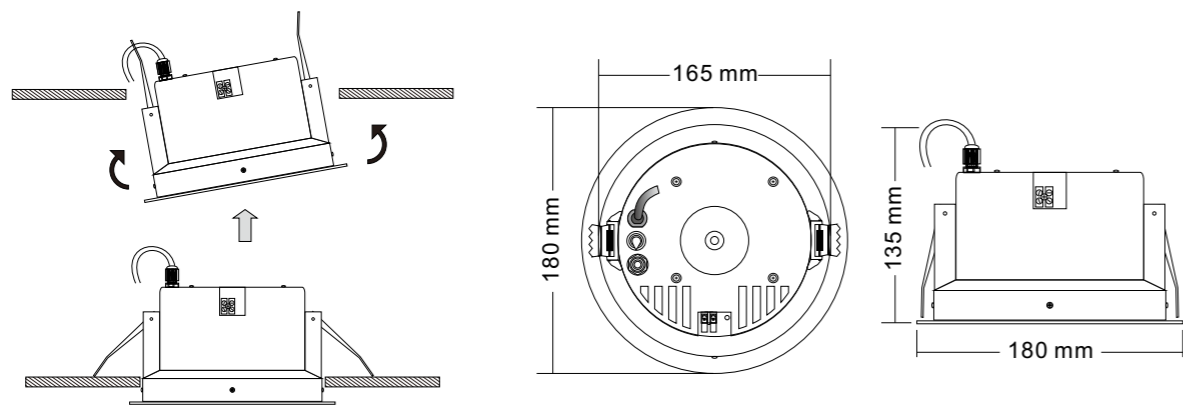
Waterproof Active Ceiling Loudspeaker  
T-105FP



Material: metal shell + aluminum grill

Features

Indoor full audio ceiling speaker with flame retardant iron back cover, fireproof design. Spring presser foot system, convenient for users to install. Applicable to: fire, shops, supermarkets, hotels, etc.



Model	T-105FP
Rated power	6W
Input	~220V/ 50Hz
SPL(1W/1M)	90dB
Frequency response (-10dB)	110-16KHz
Speaker driver	5" x 1
Cutout size	165mm
Dimensions	180 x 135mm
Weight	0.9Kg

High-fidelity ceiling speaker  
T-206CH

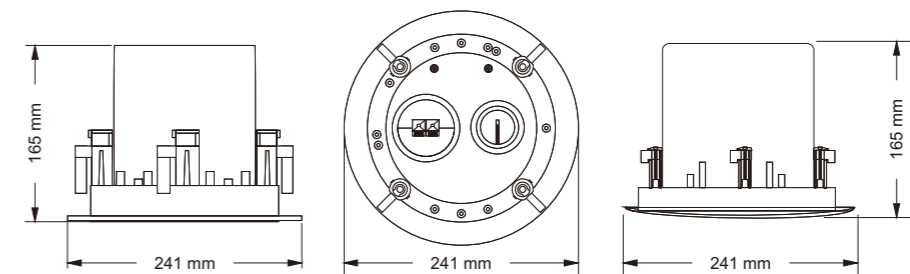


Description

High-fidelity ceiling speakers are suitable for offices, various meeting places, waiting rooms, restaurants, coffee shops, hotels, supermarkets and other public places.

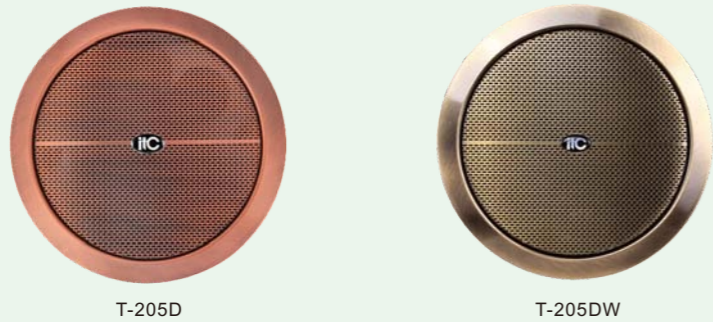
Features

- \* High-quality ceiling sound, the acoustic system adopts a coaxial design of 6.5-inch bass and 1-inch treble
- \* The speaker adopts high-grade bulletproof cloth woven disk as the diaphragm, and a large-diameter magnetic circuit system, which has the characteristics of clear sound and good low-frequency speed.
- \* The tweeter adopts silk film soft dome speaker.

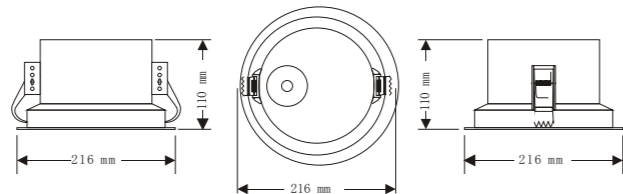


Model	T-206CH
Speaker	6.5 "bass+1" tweeter coaxial speaker
Impedance	Black:com; Red:2.6kΩ/1.3kΩ/670Ω/330Ω/165Ω
Frequency range	80Hz ~20kHz@-10dB
Maximum sound pressure level	102dB±3dB
Sensitivity	≥86dB±3dB
Power@100V	3.8W,7.5W,15W,30W
Power@70V	1.9W,3.8W,7.5W,15W,30W
Dimensions	241×165mm
Weight	2.2kg

Ceiling Speaker  
T-205D  
T-205DW



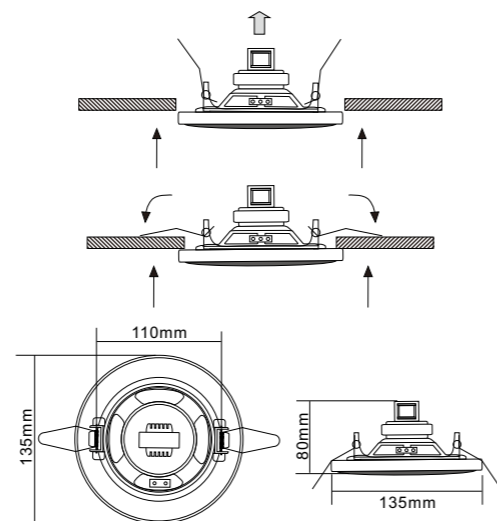
**NEW**



Model	T-205D	T-205DW
Power taps(100V)	5W, 10W, 15W, 20W	5W, 10W, 15W, 20W
Power taps(70V)	2.5W, 5W, 7.5W, 10W	2.5W, 5W, 7.5W, 10W
SPL	92dB ±3dB	92dB ±3dB
Impedance	Black: Com Brown: 2KΩ White: 1KΩ Yellow: 670Ω/Green: 500Ω	Black: Com Brown: 2KΩ White: 1KΩ Yellow: 670Ω/Green: 500Ω
Frequency response	70-18KHz	70-18KHz
Speaker driver	4"x1 1.5"x1	4"x1 1.5"x1
Cutout size	191mm	191mm
Dimensions	216x110mm	216x110mm
Weight	1.8Kg	1.8Kg

Ceiling Speaker  
T-104GD

**NEW**



Material: metal grill

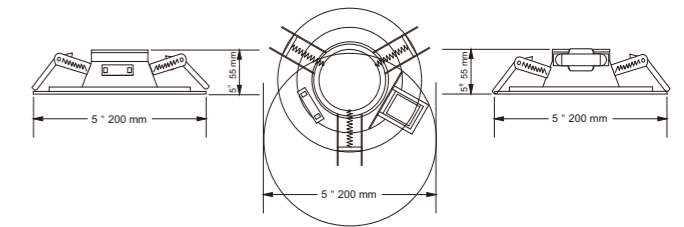
Features

High quality ceiling speaker, small caliber speaker unit, white paint, can be well integrated with the environment. Applicable to hotels, hotels, clubs, etc.

Model	T-104GD
Power taps @100V	3W, 6W
Power taps @70V	1.5W, 3W
SPL	90dB
Impedance	black: Com white: 3.3KΩ red: 1.7KΩ
Frequency response (-10dB)	90-18KHz
Speaker driver	4"x1
Cutout size	110mm
Dimensions	135x80mm
Weight	0.5Kg

Ceiling Speaker  
T-105RD

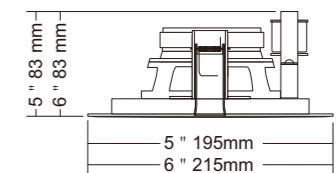
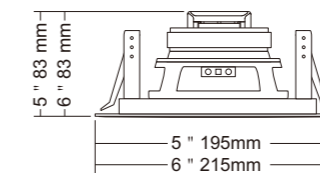
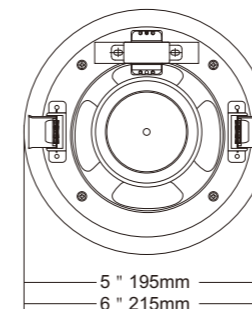
**NEW**



Model	T-105RD
Rated power	6W
Impedance	8Ω
Sensitivity (1W/1M)	92dB
Frequency response (-10dB)	110Hz-18KHz
Cutout size	170mm
Dimension	200x55 mm
Weight	0.8Kg
Finish	Iron housing + aluminum mesh cover

Ceiling Speaker  
T-105Y  
T-106Y

**NEW**



Material: metal shell + metal grill

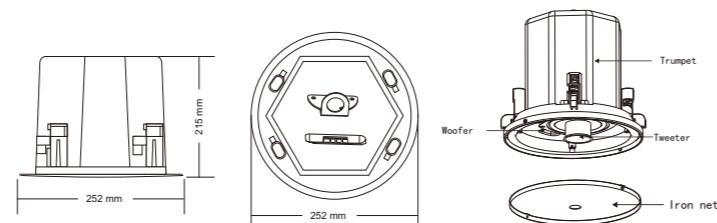
Note

Indoor high quality ceiling speaker, full frequency speaker design, spring foot system, convenient installation. Suitable for shopping malls, hotels, etc.

Model	T-105Y	T-106Y
Power taps @100V	0.75W, 1.5W, 3W, 6W	1.25W, 2.5W, 5W, 10W
Power taps @70V	0.38W, 0.75W, 1.5W, 3W	0.65W, 1.25W, 2.5W, 5W
Impedance	Black: Com Blue: 13.3KΩ Red: 6.7KΩ Green: 3.3KΩ White: 1.7KΩ	Black: Com Blue: 8KΩ Red: 4KΩ Green: 2KΩ White: 1KΩ
SPL(1W/1M)	90dB±3dB	91dB±3dB
Frequency response (-10dB)	100-18KHz	100-19KHz
Finish	Metal	metal
Speaker driver	5"	6"
Cutout size	165mm	185mm
Dimensions	195 x 83mm	215 x 83mm
Weight	0.9Kg	1Kg

Frameless Ceiling Speaker  
T-206CK

**NEW**



**Application**

- \* Restaurants, cafes, hotels and various meeting places.
- \* Supermarkets, offices, shopping centers and other places.
- \* Airport lounge and other public places.

**Features**

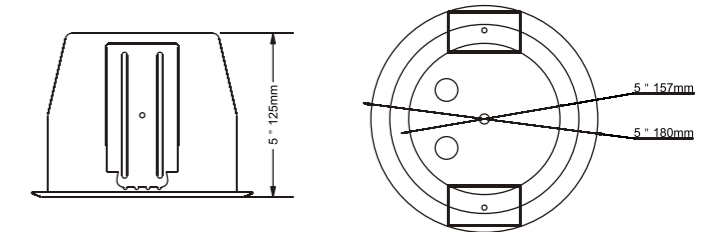
T-206CK is a high-quality Speaker, using 6.5 inch bass plus 1 inch tweeter coaxial design scheme, the speaker use high-grade PP plate as a diaphragm, large-diameter magnetic circuit system, It has the characteristics of clear sound, good level and fast low frequency speed. A coated fabric dome with integral surround manufactured,

**Specification**

<b>Model</b>	T-206CK
<b>Speaker driver</b>	6.5"Bass+ 1"Treble coaxial speaker
<b>Impedance</b>	16Ω
<b>Frequency response</b>	100 Hz to 20 kHz@ -10 dB
<b>SPL</b>	102dB ±3dB
<b>Sensitivity</b>	≥88dB±3dB
<b>Rated power</b>	40W
<b>Max power</b>	60W
<b>Cutout size</b>	Φ224mm

Ceiling Speaker  
T-525

**NEW**



Material: metal shell + metal grill

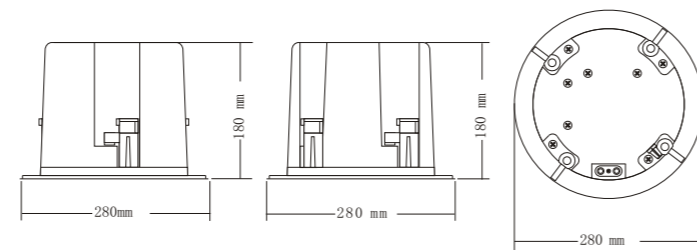
**Features**

Fireproof ceiling speaker, with the best voice evacuation system sound quality, ceramic connector, fuse and flame retardant cable, output 100V; All iron design fireproof back cover, spring clip easy and quick installation, excellent response to background music and sound information.

<b>Model</b>	T-525
<b>Rated power(100V)</b>	0.38W, 0.75W, 1.5W, 3W, 6W
<b>Rated power(70V)</b>	0.19W, 0.38W, 0.75W, 1.5W, 3W
<b>Impedance</b>	Com / 26KΩ/ 13KΩ/ 6.7KΩ/ 3.3KΩ/ 1.7KΩ
<b>SPL(1W/1M)</b>	92dB
<b>MAX. SPL(W/1M)</b>	100dB
<b>Frequency response</b>	130-15KHz
<b>Speaker driver</b>	5"×1
<b>Cutout size</b>	157mm
<b>Dimensions</b>	180×125mm
<b>Weight</b>	1.2Kg

Ceiling Speaker  
T-208S

**NEW**



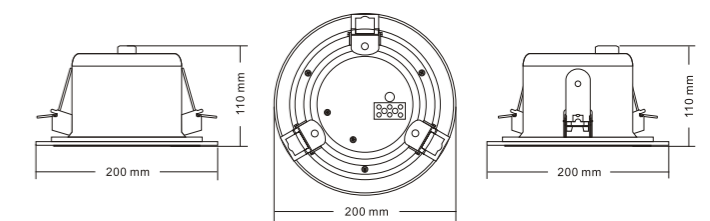
**Features**

Indoor ultra-low sound ceiling speaker, let the low frequency perfectly reproduce, match T-205CW series, with perfect sound . Suitable for private rooms, KTV, et

<b>Model</b>	T-208S
<b>Power taps @100V</b>	3.8W, 7.5W, 15W, 30W, 60W
<b>Power taps @70V</b>	1.9W, 3.8W, 7.5W, 15W, 30W
<b>Input</b>	70V/100V/8Ω
<b>SPL(1W/1M)</b>	90dB
<b>Impedance</b>	Com / 2.6KΩ/ 1.3KΩ/ 670Ω/ 330Ω/ 165Ω
<b>Frequency response (-10dB)</b>	60-2KHz
<b>Speaker driver</b>	6.5"×1
<b>Cutout size</b>	250mm
<b>Dimensions</b>	280×180mm
<b>Weight</b>	3.5Kg

Ceiling Speaker  
T-505

**NEW**



Material: metal shell + aluminum grill

**Features**

Fireproof ceiling speaker, ceramic connector, fuse and flame retardant cable, output 6W, 100V;All iron design fireproof back cover, spring clip installation is easy and quick, excellent response to background music and sound information.

<b>Model</b>	T-505
<b>Rated power(100V)</b>	6W
<b>Rated power(70V)</b>	3W
<b>Impedance</b>	Com / 1.7KΩ
<b>SPL</b>	90dB
<b>Frequency response</b>	110-18KHz
<b>Speaker driver</b>	5"×1
<b>Cutout size</b>	170mm
<b>Dimensions</b>	200×120mm
<b>Weight</b>	0.9Kg
<b>Installation</b>	spring clip

Multimedia Active Speaker  
T-250H

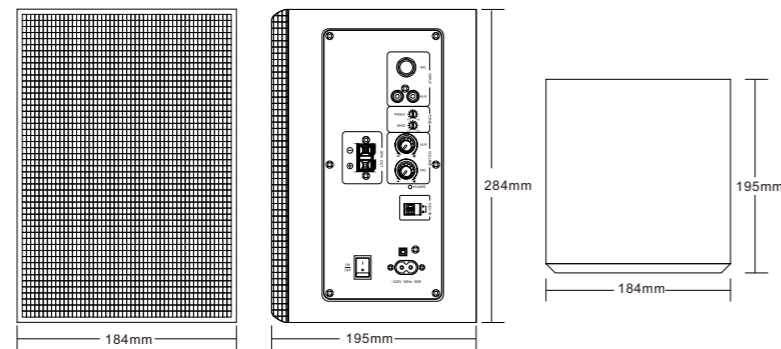


Descriptions

It suits for those places that need sound reinforcement such as multimedia classroom, conference room, training room, exclusive shop etc.

Features

- \* Line input, 1 mic input.
- \* Output overload, short circuit protection.
- \* Output 2 x 25W@4Ωload.
- \* When mic input, it has silent sound function.
- \* It is built-in 1 mic volume adjustment, 1 line input sound volume adjustment, 2 high-bass hidden volume adjustment.
- \* With 100V broadcast input interface, priority over local broadcast.



Model	T-250H
Rated output power	2 x 25W
Impedance	4-8Ω
Input SPL	AUX: 350Mv±20MV MIC : 5MV ±0.5MV
S/N Ratio	≥70dB
Frequency response	80~16KHz (±3dB)
Volume adjustment	1 MIC volume, 1 AUX volume
Harmonic distortion	≤1%
Operating temperature	5°C~40°C
Operating humidity	20%~80% relative humidity, non-condensing
Power consumption	≤60W
Voltage supply	~220-240V 50/60Hz
Dimension	200 x 210 x 300mm
Weight	6.8Kg

Active Speaker  
T-260H

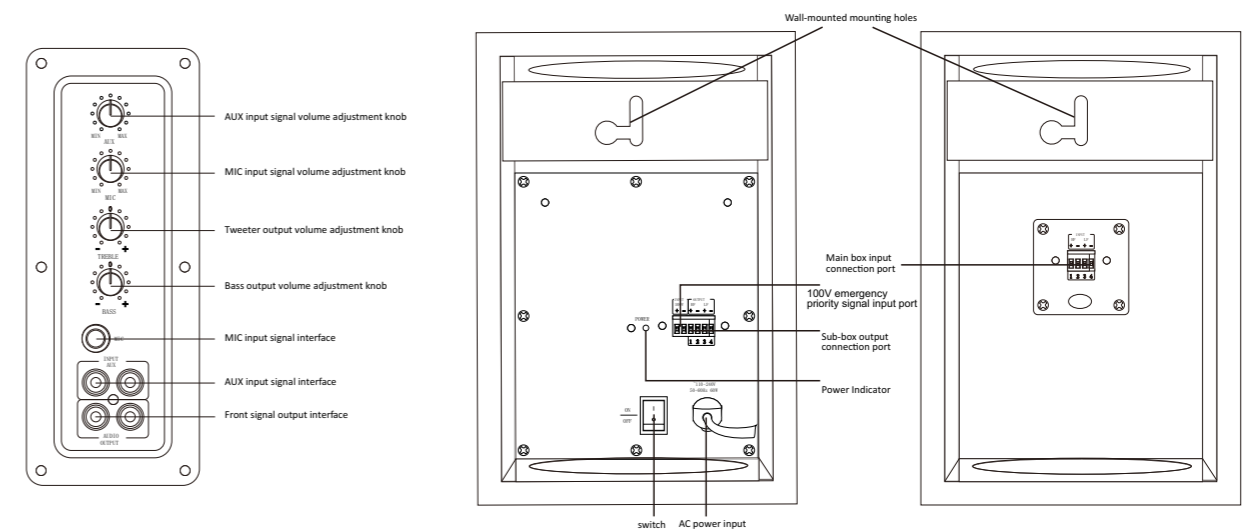


Description

It is suitable for multimedia classrooms, general classrooms, conference rooms, training rooms, specialty stores and other places on demand of reinforcement.

Feature

- \* Support 1 channel microphone, 1 channel stereo line input, 1 channel stereo line output.
- \* Output overload, overvoltage, short circuit protection.
- \* With mute function, the microphone has priority over the line input.
- \* 1 microphone volume adjustment, 1 line input volume adjustment, 2 treble and bass adjustment.
- \* Built-in HIFI high-fidelity high-end speaker and electronic crossover. Independent amplifier drive for treble and bass .
- \* With 100V broadcast input interface prior to local broadcast.



Model	T-260H
Rated output power	2x25W
Output impedance	4-8Ω
Input sensitivity	AUX IN:350Mv±20MV/10KΩ; MIC:5MV±0.5MV
SNR	≥70dB
Frequency response	40Hz~20KHz(±3dB)
Line output	1V
Volume adjustment	1 MIC volume, 1 AUX volume
THD	≤1%
Operating temperature	5°C~40°C
Operating humidity	20% to 80% relative humidity, no condensation
Power consumption	≤60W
Supply voltage	~ 220V 50Hz
Dimension(W×H×D)mm	162×240×225
Weight	7.5kg

**Water-proof Wall Mount Speaker  
T-103E**

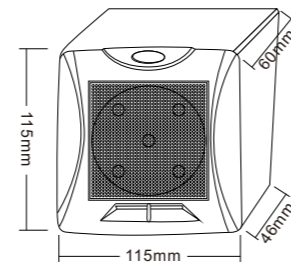


Material: plastic shell + plastic mesh cover

**Features**

High-grade bedhead speakers, unique appearance, using small caliber speaker unit. The rear cover lock card is easy to install. Applicable to hotels etc.

<b>Model</b>	T-103E
<b>Power taps @100V</b>	1.5W, 3W
<b>Power taps @70V</b>	0.75W, 1.5W
<b>Impedance</b>	Black: Com Blue: 6.7 KΩ White: 3.3 KΩ
<b>SPL(1W/1M)</b>	89dB
<b>Frequency response (-10dB)</b>	80-16KHz
<b>Speaker driver</b>	3"
<b>Dimensions</b>	115 x 115 x 60mm
<b>Weight</b>	0.5Kg



**Wall Mount Speaker  
T-601**

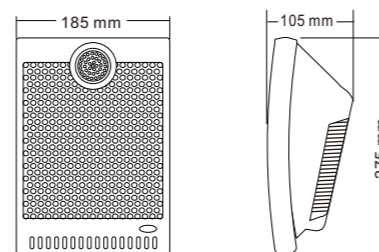


Material: plastic

**Features**

Indoor wall-mounted speakers, streamlined appearance, large sound radiation angle, full frequency design. Suitable for schools, hotels, supermarkets, etc.

<b>Model</b>	T-601
<b>Power taps @100V</b>	3W, 6W, 10W
<b>Power taps @70V</b>	1.5W, 3W, 5W
<b>Impedance</b>	Com/3.3KΩ/1.7KΩ/1KΩ
<b>SPL(1W/1M)</b>	91dB±3dB
<b>Frequency Response (-10dB)</b>	130-18KHz
<b>Speaker Driver</b>	6.5" x 1"
<b>Dimensions</b>	185 x 275 x 105mm
<b>Weight</b>	1.4Kg
<b>IP rate</b>	IP5 dustproof



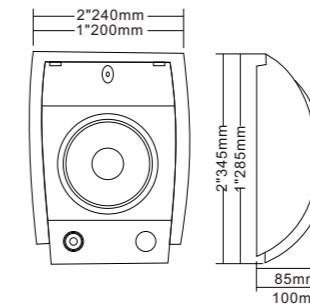
**Wall Mount Loudspeaker  
T-611  
T-612**



Material: plastic

**Features**

Unique appearance design, plastic shell, using 2 frequency design, simple suspension, suitable for schools, corridors, supermarkets, etc.



<b>Model</b>	T-611	T-612
<b>Power taps @100V</b>	1.5W, 3W, 6W	2.5W, 5W, 10W
<b>Power taps @70V</b>	0.75W, 1.5W, 3W	1.25W, 2.5W, 5W
<b>Impedance</b>	Black: Com Red:6.7 KΩ/3.3 KΩ/1.7KΩ	91dB ±3dB
<b>SPL(1W/1M)</b>	90dB ±3dB	Black: Com Red: 4KΩ/ 2KΩ/ 1KΩ
<b>Frequency response (-10dB)</b>	90-18KHz	90-18KHz
<b>Speaker driver</b>	5" x 1" 2" x 1"	6"×1" 2"×1"
<b>Dimensions</b>	285 x 200 x 85mm	345×240×100mm
<b>Weight</b>	1.3Kg	1.7kg

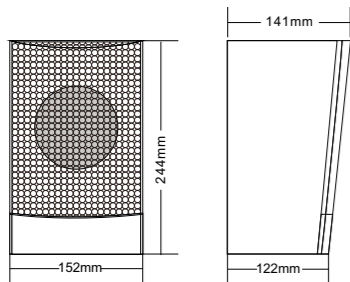
Wall Mount Speaker  
T-601X  
T-601XW



Material: wooden shell

Features

Indoor wall-mounted speakers, elegant appearance, with 4 inch full frequency unit, sound clear and bright. Full wood structure, good sound insulation effect, black and white color optional, suitable for hotels, shopping malls, schools, etc.



Model	T-601X	T-601XW
Rated power(100V)	5W, 10W	5W, 10W
Max power	20W	20W
SPL	89dB	89dB
Impedence	Com/1KΩ/2 KΩ	Com/1KΩ/2 KΩ
Frequency response	120-20KHz	120-20KHz
Speaker driver	4" x 1	4" x 1
Dimensions	244 x 152 x 141/122mm	244 x 152 x 141/122mm
Weight	2.2Kg	2.2Kg

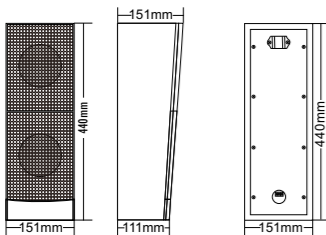
Wall Mount Speaker  
T-602X  
T-602XW



Material: wooden shell

Features

Indoor wall-mounted speakers, elegant appearance, with 4 inch full frequency unit, sound clear and bright. Full wood structure, good sound insulation effect, black and white color optional, suitable for hotels, shopping malls, schools, etc.



Model	T-602X	T-602XW
Rated power(100V)	10W, 20W	10W, 20W
Max power	40W	40W
SPL	91dB	91dB
Impedance	Com/1KΩ/500Ω	Com/1KΩ/500Ω
Frequency response	100-20KHz	100-20KHz
Speaker driver	4" x 2	4" x 2
Dimensions	440 x 151 x 151/111mm	440 x 151 x 151/111mm
Weight	3.3Kg	3.3Kg

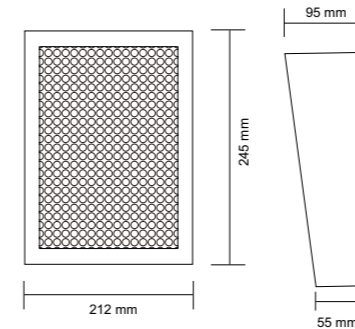
Fireproof Wall Mount Speaker  
TF-700



Material: iron shell + iron mesh cover

Features

Full iron structure, built-in safety, double protection speaker unit, suitable for passageways, large shopping malls, etc.

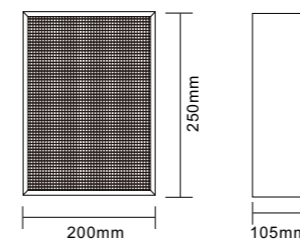


Model	TF-700
Power taps @100V	0.75W, 1.5W, 3W, 6W
Power taps @70V	0.37W, 0.75W, 1.5W, 3W
Impedance	Com/13.3KΩ/6.7KΩ/3.3KΩ/1.7KΩ
SPL(1W/1M)	91dB ±3dB
Frequency response (-10dB)	100-16KHz
Speaker driver	5" x 1
Dimensions	245 x 212 x 95mm
Weight	1.9Kg

Wall Mount Speaker  
T-601L



Material: wooden



Model	T-601L
Power taps @100V	0.75W, 1.5W, 3W, 6W
Power taps @70V	0.38W, 0.75W, 1.5W, 3W
Impedance	Black: Com Blue:13.3KΩ Yellow:6.7KΩ White:3.3KΩ Green:1.7KΩ
SPL(1W/1M)	92dB
Frequency response (-10dB)	100-16KHz
Speaker driver	5" x 1
Dimensions	200 x 105 x 250mm
Weight	1.9Kg

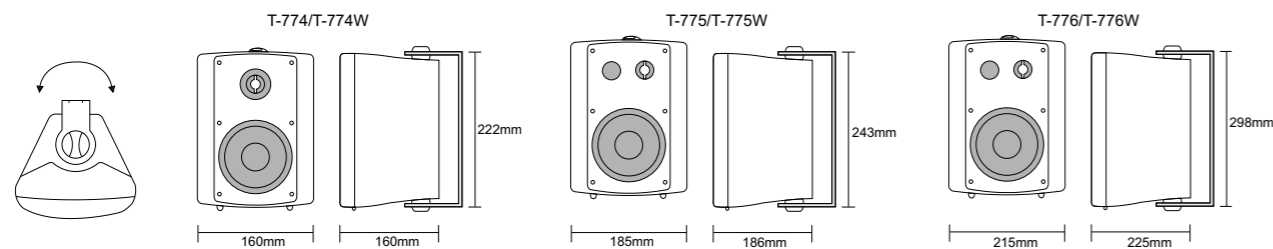
Wall Mount Speaker (Dampproof)  
T-774/T-775/T-776/T-774W/T-775W/T-776W



Material: plastic

Features

Indoor wall-mounted speakers, plastic case, iron punching net, 2 frequency division design, using silk retina high pitch, clear and soft sound. Convenient and quick installation mode, can be fixed resistance and fixed pressure multi-power selection (P/PW) series. Suitable for hotels, conference halls, etc.



Model	T-774/T-774W	T-775/T-775W	T-776/T-776W
Power taps @100V	15W	30W	45W
Power taps @70V	7.5W	15W	22.5W
Impedance	Black: Com Red: 670Ω	Black: Com Red: 330Ω	Black: Com Red: 220Ω
SPL(1W/1M)	88dB±3dB	91dB±3dB	91dB±3dB
Frequency response (-10dB)	130-18KHz	130-18KHz	110-18KHz
Speaker driver	4" x 1 1.5" x 1	5" x 1 1.5" x 1	6" x 1 1.5" x 1
Dimensions	222 x 160 x 160mm	243 x 185 x 186mm	298 x 215 x 225mm
Weight	1.8Kg	2.3Kg	3.7Kg

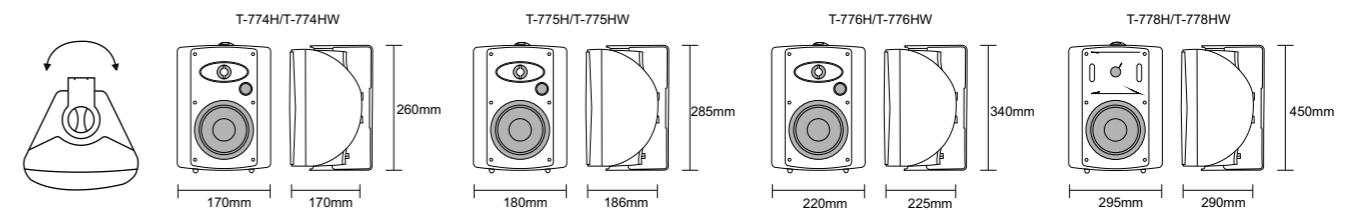
Wall Mount Speaker (Dampproof)  
T-774H/T-775H/T-776H/T-778H  
T-774HW/T-775HW/T-776HW/T-778HW



Material: plastic

Features

Indoor high-grade wall-mounted speakers, multi-power fixed resistance and fixed pressure selection, modern sense of arc design, 2 frequency division design, high cost performance, convenient installation. Suitable for hotels, conference halls, etc.



Model	T-774H/T-774HW	T-775H/T-775HW	T-776H/T-776HW	T-778H/T-778HW
Power taps @100V	2.5W, 5W, 10W, 20W	3.75W, 7.5W, 15W, 30W	5W, 10W, 20W, 40W	7.5W, 15W, 30W, 60W
Power taps @70V	1.25W, 2.5W, 5W, 10W, 20W	1.9W, 3.75W, 7.5W, 15W, 30W	2.5W, 5W, 10W, 20W, 40W	3.75W, 7.5W, 15W, 30W, 60W
Impedance	4KΩ/2KΩ/1KΩ/500Ω/250Ω	2.6KΩ/1.3KΩ/670Ω/330Ω/165Ω	2KΩ/1KΩ/500Ω/250Ω/125Ω	1.3KΩ/670Ω/330Ω/165Ω/81Ω
Input	70V/100V/8Ω	70V/100V/8Ω	70V/100V/8Ω	70V/100V/8Ω
SPL(1W/1M)	86dB	88dB	89dB	89dB
Frequency response (-10dB)	120-18KHz	100-18KHz	100-20KHz	100-20KHz
Speaker driver	4" x 1 1.5" x 1	5" x 1 1.5" x 1	6" x 1 1.5" x 1	8" x 1 2" x 1
Dimensions	260 x 170 x 170mm	285 x 180 x 186mm	340 x 220 x 225mm	450 x 295 x 290mm
Weight	2.3kg	2.7kg	4.1kg	6.5kg

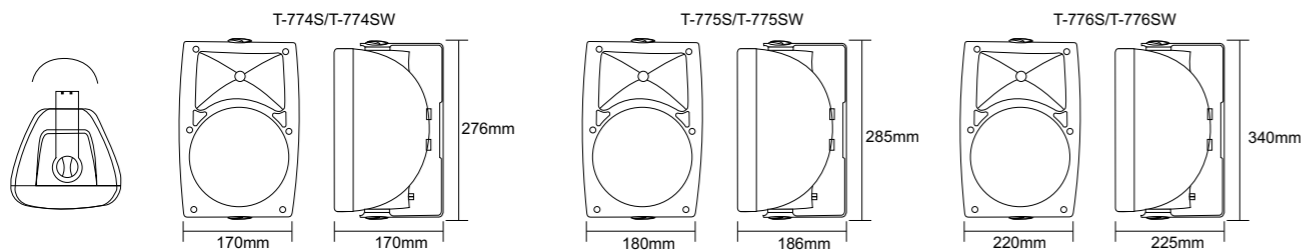
High-end Outdoor Wall Mount Speaker  
T-774S/T-775S  
T-774SW/T-775SW



Material: plastic

Features

High-grade outdoor wall-mounted speakers, small volume, large power, beautiful appearance, horn type high-pitched design, dichonic frequency, high cost performance, easy installation. Suitable for background sound amplification in all kinds of outdoor places.



Model	T-774S/T-774SW	T-775S/T-775SW
Rated power(100V)	30W	50W
Rated power(70V)	15W	25W
Sensitivity	89dB	90dB
Impedance	333Ω	200Ω
Frequency response	90-20KHz	80-20KHz
IP rate	IP66	5"×1 1.5"×1
Speaker driver	4" x 1 1" x 1	IP66
Dimensions	276 x 170 x 170mm	285×180×186mm
Weight	2.5Kg	3.0Kg

Active Wall Mount Speaker  
T-775A  
T-775AW  
T-776A  
T-776AW



T-775A/T-776A

T-775AW/T-776AW

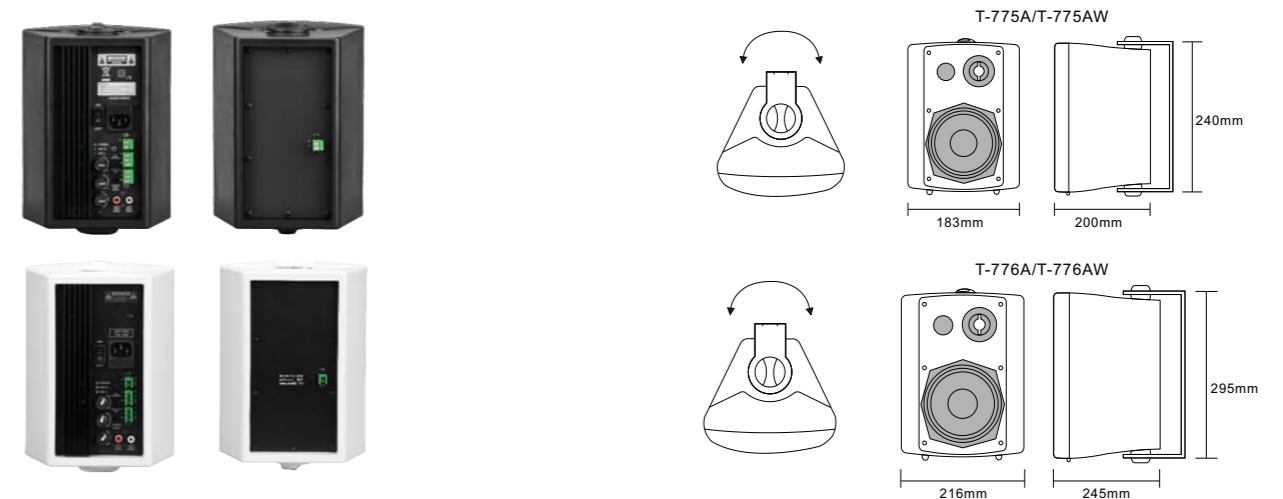
Material:plastic

Features

Active wall-mounted speakers, powerful functions, a variety of port input, non-balanced input to solve the interference of long-distance transmission signal, left and right channel stereo conversion.

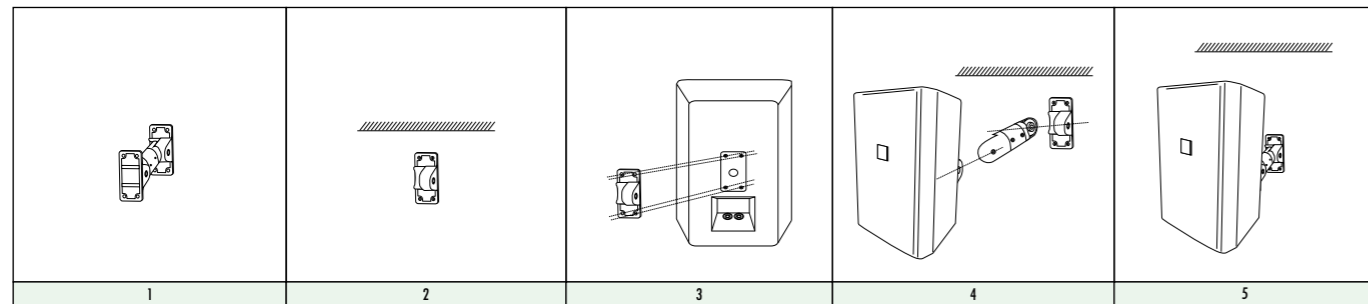
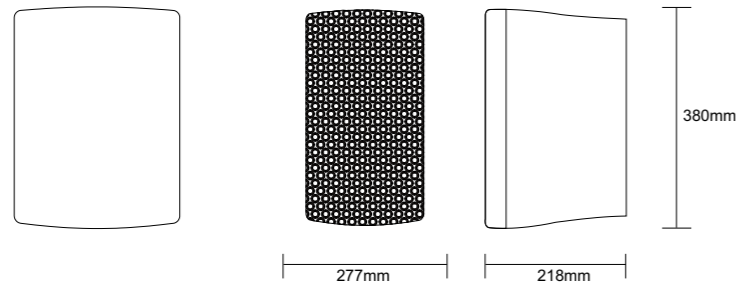
Features

Active wall-mounted speakers, powerful, multiple port input, non-balanced input to solve the interference of long distance transmission signals, left and right channel stereo conversion. Powerful function, high cost performance, is the ideal choice of multimedia.



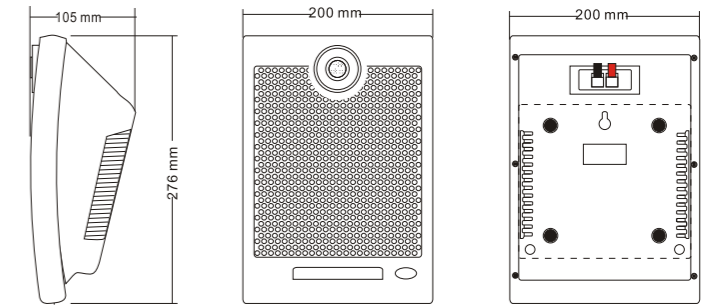
Model	T-775A (Black)	T-775AW (White)	T-776A(black)	T-776AW(white)
RMS	20W x 2 @ 8Ω		25W×2@8Ω	
Input sensitivity	0.5V		0.7V	
Frequency response	80Hz-18KHz/1W, ±0.5dB		70Hz-20KHz/1W±0.5dB	
THD	20Hz-20KHz/1W, 0.05%		20Hz-20KHz/1W 0.05%	
Damping factor	>200@8Ω/400Hz		>200@8Ω/400Hz	
Conversion rate	30V/US		30V/US	
Channel degree of separation	>75dB		>75dB(Weightless)	
S.N. ratio	>95dB		>95dB(Weightless)	
Amplifier	AB class		class-AB	
Indication	Power and channel signal		power supply, channel signal	
Protection	High temp, overload, short circuit and clip		Over-temperature protection, overload protection, switch machine mute	
Treble control	±10dB		±10dB	
Bass control	±10dB		±10dB	
Input connector	Balanced phoenix connector, dual RCA and stereo 3.5mm earphone input		European balance, lotus seat, stereo 3.5 jack	
AC power supply	~220V-240V 50Hz		~220V 50Hz	
Dimensions	183 x 200 x 240mm		216×245×295mm	
IP rate	IP66		IP66	
Weight	4.7Kg (per pair)		10.1Kgs (1pair)	

Wall Mount Speaker  
T-778P  
T-778PW



Model	T-778P	T-778PW
Power Taps @100V	5W, 10W, 20W, 40W, 80W	5W, 10W, 20W, 40W, 80W
Power Taps @70V	2.5W, 5W, 10W, 20W, 40W	2.5W, 5W, 10W, 20W, 40W
Impedance	Balck: Com Red: 2KΩ/1KΩ/500Ω/250Ω/125Ω/8Ω	Balck: Com Red: 2KΩ/1KΩ/500Ω/250Ω/125Ω/8Ω
SPL(1W/1M)	94dB	94dB
Frequency Response (-10dB)	100-17KHz	100-17KHz
Finish	Baffle: ABS, Black Grille: Steel, Black	Baffle: ABS, White Grille: Steel, White
Speaker Driver	8" x 1 2" x 1	8" x 1 2" x 1
Dimensions	380 x 277 x 218mm	380 x 277 x 218mm
Weight	6.2Kg	6.2Kg

Wall Mount Speaker  
T-601S



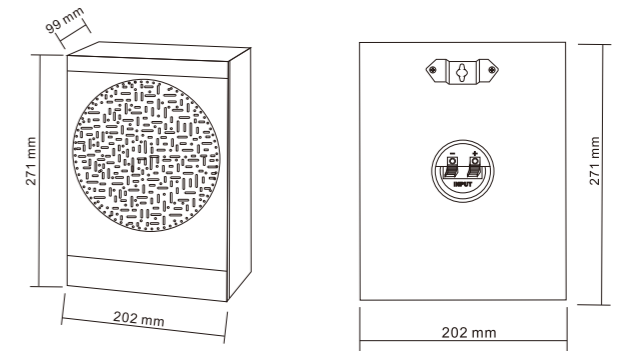
Material: plastic

Features

Indoor wall-mounted speakers, streamlined appearance, large sound radiation angle, using full frequency design. Applicable to schools, hotels, supermarkets, etc.

Model	T-601S
Rated power(100V)	6W
Rated power(70V)	3W
SPL(1W/1M)	92dB±3dB
Impedance	black: Com red: 1.7KΩ
Frequency response (-10dB)	130-16KHz
Speaker driver	6.5"
IP rate	IP×5 dustproof
Dimensions	200×105×276mm
Weight	1Kg

Wall Mount Speaker  
T-601B



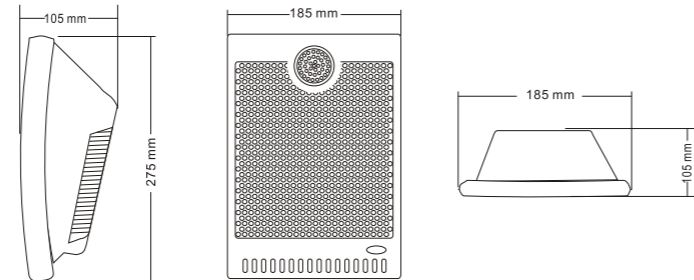
Material: wooden

Features

Indoor wall speakers, wooden structure. The appearance of plastic technology, with plastic mask, beautiful and generous. Applicable to schools, supermarkets, hotels, etc.

Model	T-601B
Rated power	6W
Frequency response	130-14KHz
SPL	92dB±3dB
Impedance	Black: Com Red: 1.7KΩ
Speaker driver	4"
Dimensions	202×99×271mm
Weight	2.1Kg

Wall Mount Speaker  
T-601R

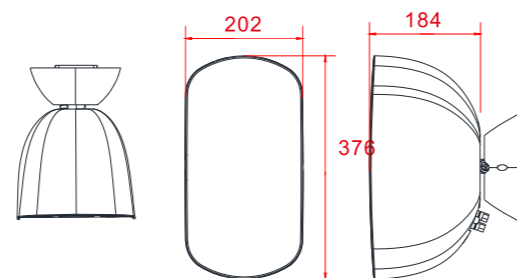


Features

Indoor wall-mounted speakers, streamlined appearance, large sound radiation angle, using full frequency design. Applicable to schools, hotels, supermarkets, etc.

Model	T-601R
Rated power	10W
Max power	20W
Impedance	COM. 8Ω
SPL(1W/1M)	91dB±3dB
Frequency response (-10dB)	130-16KHz
Speaker driver	6.5"×1
Dimensions	185×275×105mm
Weight	1.2Kg
Material	plastic

Speaker  
T-865CF



Description

It is widely used in various small and medium-sized meeting rooms, banquet halls, hotels, commercial buildings, schools, entertainment and leisure places.

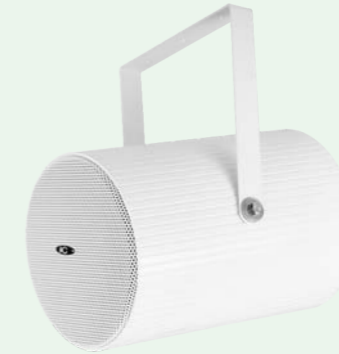
Feature

- \* The housing is made of polystyrene material, which is lightweight. And it is easy to install in various application scenarios.
- \* The front panel adopts iron mesh decorative panel parts, which is beautiful and elegant.
- \* Multi-angle adjustment of the mounting bracket, easy to adapt to various application scenarios.
- \* Adopt 1 5.25-inch mid-woofer unit and 1 25MM silk film tweeter unit.
- \* 5 fixed constant voltage volume adjustment switch.
- \* Built-in high-quality linear audio power transformer.

Specifications

Model	T-865CF
Constant Voltage Power@100V	3W,6W,12.5W,25W,50W
Constant Voltage Power@70V	1.5W,3W,6W,12.5W,25W
Frequency Response	85Hz-20kHz
Sensitivity	84dB ±-3dB
Speaker Unit	5.25 inch mid-woofer+25MM silk film
Dimension	202(W)×254(D)×376(H)mm
Weight	4.1Kg

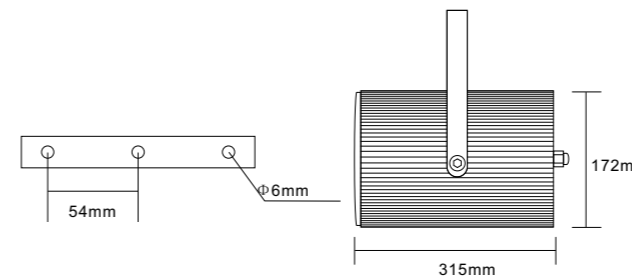
Uni-directional Projection Loudspeaker  
T-770



Material: Aluminum alloy

Features

Straight horn, aluminum alloy structure, anti-rust and anti-corrosion strong, can be arbitrarily adjusted Angle; Suitable for railway station, bus station, etc.



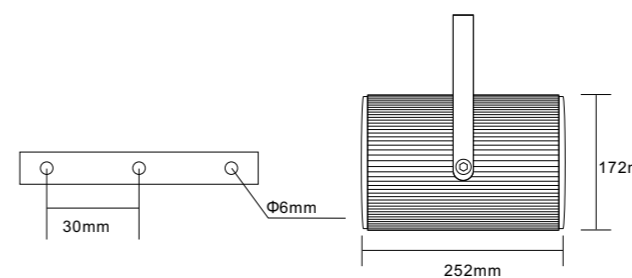
Model	T-770
Power Taps @100V	7.5W, 15W
Power Taps @70V	3.75W, 7.5W
Impedance	Black: Com White: 1.3KΩ Green: 670Ω
SPL(1W/1M)	100dB
Frequency Response (-10dB)	250-14KHz
Speaker Driver	6" x 1
IP Rate	IP 66
Dimensions	172 x 315mm
Weight	2.7Kg

Dual-directional Projection Loudspeaker  
T-770T



Features

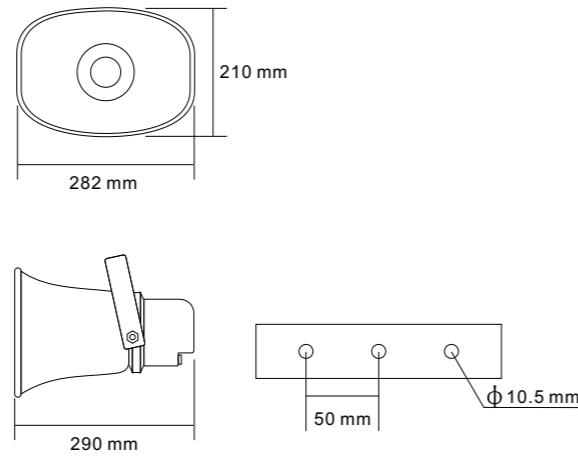
Straight horn, aluminum alloy structure, anti-rust and anti-corrosion strong, can be arbitrarily adjusted Angle; Suitable for railway station, bus station, etc.



Model	T-770T
Power Taps @100V	5W, 10W, 20W
Power Taps @70V	2.5W, 5W, 10W
Impedance	Blue: Com Green: 2 KΩ Yellow: 1KΩ Red: 500Ω
SPL(1W/1M)	92dB
Max. SPL (Rated W/1M)	105dB
Frequency Response (-10dB)	110-15KHz
Speaker Driver	6" x 2
Dimensions	172 x 252mm
Weight	3.3Kg
IP Grade	IP66

Weatherproof Horn Speaker  
T-720A

**HOT**

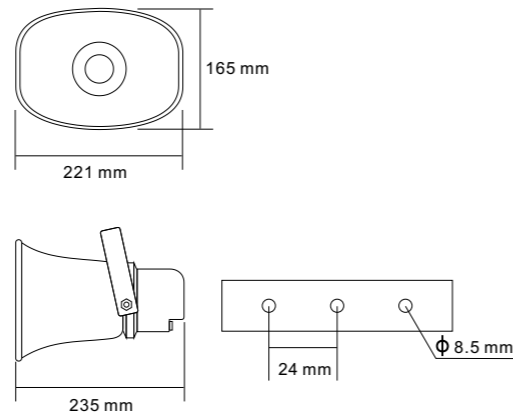


**Features**

Waterproof horn, organic resin structure, durable; Sound coverage is wide; Applicable to square, playground, etc.

<b>Model</b>	T-720A
<b>Power Taps @100V</b>	15W, 30W
<b>Power Taps @70V</b>	7.5W, 15W
<b>Impedance</b>	Black: Com Green: 670Ω White: 330Ω
<b>SPL(1W/1M)</b>	103dB±3dB
<b>Frequency Response (-10dB)</b>	300-13KHz
<b>IP Rate</b>	IP66
<b>Dimensions</b>	282 x 210 x 290mm
<b>Weight</b>	2.1Kg

Weatherproof Horn Speaker  
T-720B

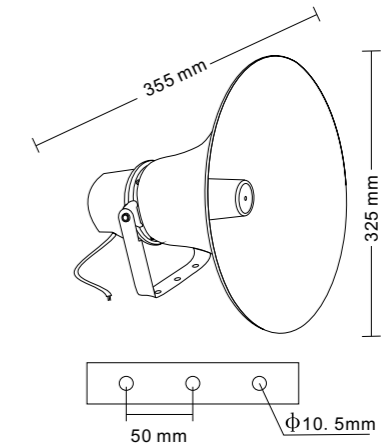


**Features**

Waterproof horn, organic resin structure, durable; Sound coverage is wide; Applicable to square, playground, etc.

<b>Model</b>	T-720B
<b>Power Taps @100V</b>	7.5W, 15W
<b>Power Taps @70V</b>	3.75W, 7.5W
<b>Impedance</b>	Black: Com White: 1.3KΩ Green: 670Ω
<b>SPL(1W/1M)</b>	103dB±3dB
<b>Frequency Response (-10dB)</b>	250-8KHz
<b>IP Rate</b>	IP66
<b>Dimensions</b>	221 x 165 x 235mm
<b>Weight</b>	1.6Kg

Weatherproof Aluminum Horn Speaker  
T-720K



Material: All aluminum alloy

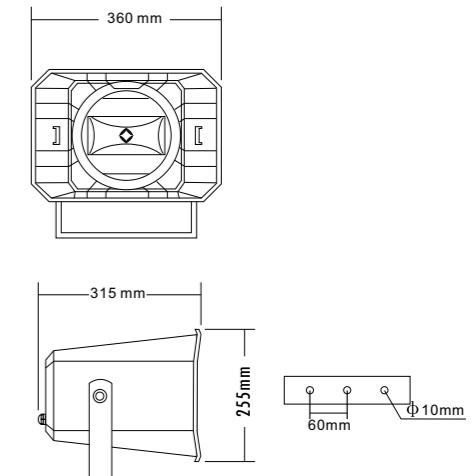
**Features**

All aluminum alloy structure, stainless steel bracket, wide frequency domain waterproof horn, strong sound penetration, wide coverage, suitable for square, railway station, etc.

<b>Model</b>	T-720K
<b>Power Taps @ 100V</b>	25W, 50W
<b>Power Taps @ 70V</b>	12.5W, 25W
<b>Max Power Output</b>	100W
<b>Impedance</b>	Black-Com Green: 400Ω White: 200Ω
<b>Frequency Response</b>	300-14KHz
<b>Sensitivity</b>	104dB±3dB
<b>Finish</b>	Baffle: Aluminum, White
<b>IP Rate</b>	IP66
<b>Explosive-proof Rate</b>	Ex d IIB T6 Gb
<b>Dimension</b>	325 x 325 x 355mm
<b>Weight</b>	3.1kg

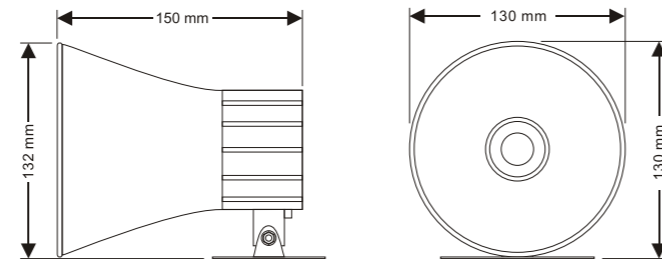
Weatherproof Horn Speaker (Music Horn)  
T-710K

**HOT**



<b>Model</b>	T-710K
<b>Power Taps @100V</b>	Red : 12.5W, Green: 25W, White: 50W
<b>Power Taps @70V</b>	Red : 6.25W, Green: 12.5W, White: 25W
<b>Impedance</b>	Black: Com 800Ω 400Ω 200Ω
<b>SPL(1W/1M)</b>	99dB±3dB
<b>Frequency Response (-10dB)</b>	90-20KHz
<b>Finish</b>	Baffle: ABS
<b>Speaker Driver</b>	6" x 1 3" x 1
<b>IP Rate</b>	IP66
<b>Dimensions</b>	360 x 255 x 315mm
<b>Weight</b>	4Kg
<b>Mounting</b>	With mounting bracket fixed by screw

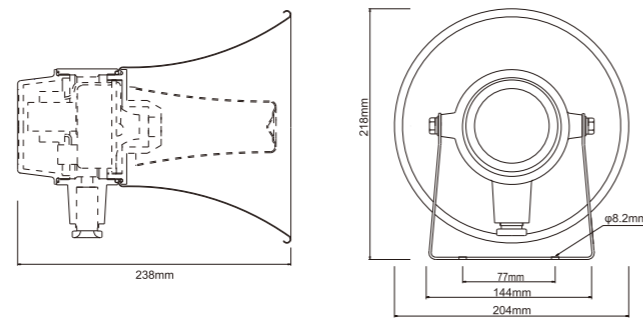
Wall Mounted Speaker  
T-710E



Material: Plastic

Model	T-710E
Rated Power	10W
Maximum Power	20W
Sensitivity	102dB±3dB
Impedance	Black, white: COM Black: 8Ω
Frequency Response	250-18KHz
Protection Level	IP66
Dimension	130×150mm
Weight	0.5Kg

Explosion-proof Speaker  
T-781



Material: iron

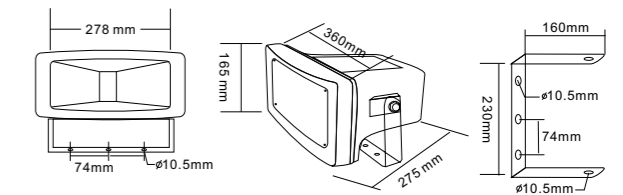
Feature

Explosion-proof horn, solid structure, explosion-proof grade up to Ex D IIB T6 GB. Applicable to coal mines, etc.

Specifications

Model	T-781
Rated power(100V)	15W
SPL	96dB ±3dB
Impedance	Com / 670Ω
Frequency response	300-7KHz
Dimensions	247×195×195mm
Weight	2.2Kg

Weatherproof Horn Speaker  
T-710A



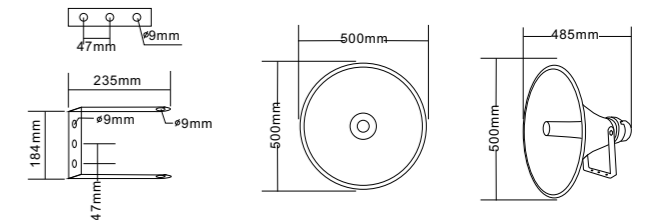
Material: plastic shell + aluminum mesh

Features

Aluminum structure, strong penetration, suitable for railway station, bus station, large square, etc.

Model	T-710A
Power taps @100V	15W, 30W
Power taps @70V	7.5W, 15W
Impedance	Black: COM White: 330Ω Green: 670Ω
Frequency response	300-18KHz
Sensitivity	113dB±3dB
Speaker driver	5" x 1
Dimensions	360 x 165 x 275mm
Weight	3.1Kg
IP rate	IP66

Weatherproof Horn Speaker  
T-720CD



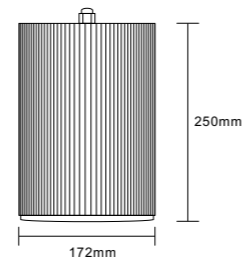
Material: all aluminum alloy

Features

All aluminum alloy structure, wide frequency domain waterproof horn, large power, strong sound penetration, wide coverage, suitable for square, railway station, etc.

Model	T-720CD
Rated Power(100V)	25W, 50W, 100W
Rated Power(70V)	12.5W, 25W, 50W, 100W
Maximum Power	200W
Impedance	COM /400Ω/200Ω/100Ω/ 50Ω
Frequency Response (-20dB)	200-13KHz
Sensitivity (1W/1M)	114dB±3dB
Dimension	440×500mm
Weight	4.7Kg
IP Rate	Aluminum alloy

Pendant Speaker  
**T-200B**



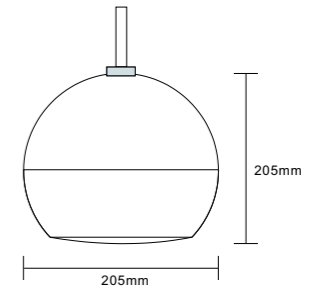
Material: aluminum

**Features**

Aluminum ceiling, chandelier-like design, broadband speaker unit, can be fixed resistance and constant pressure multiple power selection. Suitable for shopping malls, supermarkets, hotels, etc.

<b>Model</b>	T-200B
<b>Power taps @100V</b>	3.75W, 7.5W, 15W
<b>Power taps @70V</b>	1.85W, 3.75W, 7.5W
<b>Impedance</b>	Blue: Com Green: 2.6KΩ Yellow: 1.3KΩ Red: 670Ω
<b>SPL(1W/1M)</b>	92dB
<b>Frequency response (-10dB)</b>	150-14KHz
<b>Speaker driver</b>	6" x 1
<b>Dimensions</b>	172 x 250mm
<b>Weight</b>	2.6Kg

Pendant Speaker  
**T-200**



Material: plastic

**Features**

Ball design, wide band speaker unit, unique appearance, suitable for supermarkets, shopping malls, etc.

<b>Model</b>	T-200
<b>Power taps @100V</b>	1.5W, 3W, 6W
<b>Power taps @70V</b>	0.75W, 1.5W, 3W
<b>Impedance</b>	Blue: Com Red:6.7KΩ Green: 3.3KΩ Yellow:1.7KΩ
<b>SPL(1W/1M)</b>	91dB±3dB
<b>Frequency response (-10dB)</b>	130-14KHz
<b>IP rate</b>	IP66
<b>Speaker driver</b>	5" x 1
<b>Dimensions</b>	205 x 205mm
<b>Weight</b>	1.1kg

Pendant Speaker  
**T-200D**  
**T-200DW**



T-200D

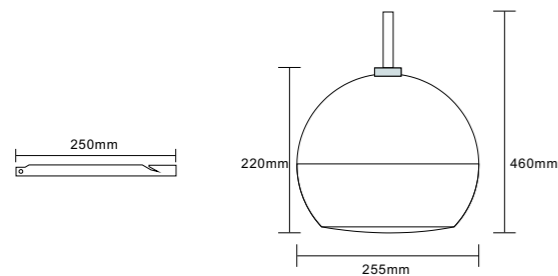
T-200DW

Material: plastic

**Features**

Ball design, wide band speaker unit, unique appearance, suitable for supermarkets, shopping malls, etc.

<b>Model</b>	T-200D(black)/T-200DW(white)
<b>Power taps @100V</b>	15W
<b>Power taps @70V</b>	7.5W
<b>Impedance</b>	Black: Com Red:670Ω
<b>SPL(1W/1M)</b>	86dB
<b>Frequency response (-10dB)</b>	100-16KHz
<b>Speaker driver</b>	6" x 1
<b>Dimensions</b>	255x220mm
<b>Weight</b>	2.6Kg



Pendant Loudspeaker (360 Degree Dispersion)  
**T-600B**  
**T-600W**



T-600B

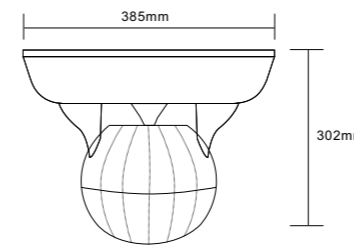
T-600W

Material: plastic

**Features**

Ceiling speakers. Various installation methods, using 360° sound coverage, unique appearance, suitable for hotels, shops, etc.

<b>Model</b>	T-600B (Black) / T-600W (White)
<b>Power taps @100V</b>	7.5W, 10W, 15W, 20W, 30W, 60W
<b>Power taps @70V</b>	3.75W, 5W, 7.5W, 10W, 15W, 30W
<b>Impedance</b>	White: 1.3KΩ Red: 1KΩ Yellow: 670Ω Brown: 500Ω Blue: 330Ω Green: 165Ω Black: Com
<b>SPL(1W/1M)</b>	102dB
<b>Frequency response (-10dB)</b>	100Hz-13KHz
<b>Speaker driver</b>	6" x 1
<b>Dimensions</b>	385 x 385 x 302mm
<b>Weight</b>	3.4Kg



Outdoor Column Speaker  
**T-701H**  
**T-702H**  
**T-703H**



Material: aluminum alloy

**Features**

Outdoor and indoor waterproof column speaker, aluminum alloy shell, aluminum mesh cover, outdoor, streamlined design, fashionable and beautiful, high sensitivity, strong directivity.

Model	T-701H	T-702H	T-703H
<b>Power taps @100V</b>	20W	40W	60W
<b>Power taps @70V</b>	10W	20W	30W
<b>SPL</b>	90dB±3dB	91dB±3dB	92dB±3dB
<b>Impedance</b>	Black: COM White: 500Ω	Black: COM White: 250Ω	Black: COM White: 167Ω
<b>Frequency response</b>	90-20KHz	90-20KHz	90-20KHz
<b>IP rate</b>	IP66	IP66	IP66
<b>Dimensions</b>	105 x 98 x 280mm	105 x 98 x 480mm	105 x 98 x 680mm
<b>Speaker driver</b>	2 x 3.5"	4 x 3.5"	6 x 3.5"
<b>Weight</b>	2.2Kg	3.9Kg	5.6Kg



Outdoor Column Speaker  
**T-701A**  
**T-702A**  
**T-703A**  
**T-704A**



Material: aluminum alloy

**Features**

Outdoor and indoor waterproof column speaker, metal aluminum alloy material, streamlined design, fashionable and beautiful.

Model	T-701A	T-702A	T-703A	T-704A
<b>Power taps @100V</b>	5W, 10W	10W, 20W	15W, 30W	20W, 40W
<b>Power taps @70V</b>	2.5W, 5W	5W, 10W	7.5W, 15W	10W, 20W
<b>Impedance</b>	Black: Com White: 2KΩ Green: 1KΩ	Black: Com White: 1KΩ Green: 500Ω	Black: Com White: 670Ω Green: 330Ω	Black: Com White: 500Ω Green: 250Ω
<b>SPL(1W/1M)</b>	88dB±3dB	89dB±3dB	91dB±3dB	92dB±3dB
<b>Frequency response (-10dB)</b>	150-16KHz	150-16KHz	130-16KHz	100-16KHz
<b>Speaker driver</b>	2.5" x 2	2.5" x 4	2.5" x 6	2.5" x 8
<b>IP rate</b>	IP66	IP66	IP66	IP66
<b>Dimensions</b>	105 x 75 x 265mm	105 x 75 x 410mm	105 x 75 x 550mm	105 x 75 x 690mm
<b>Weight</b>	1.4Kg	2.2Kg	2.9Kg	3.7Kg

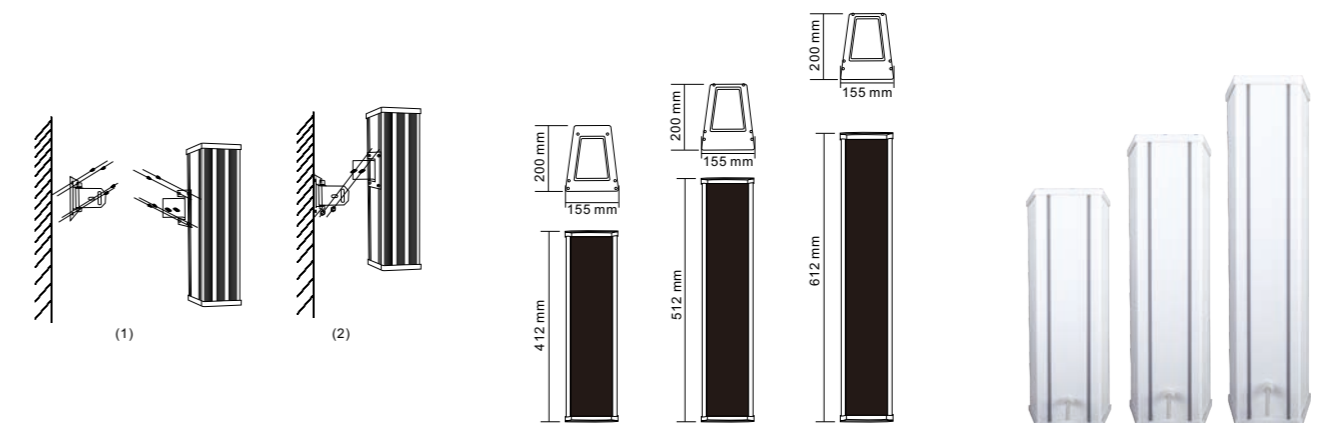
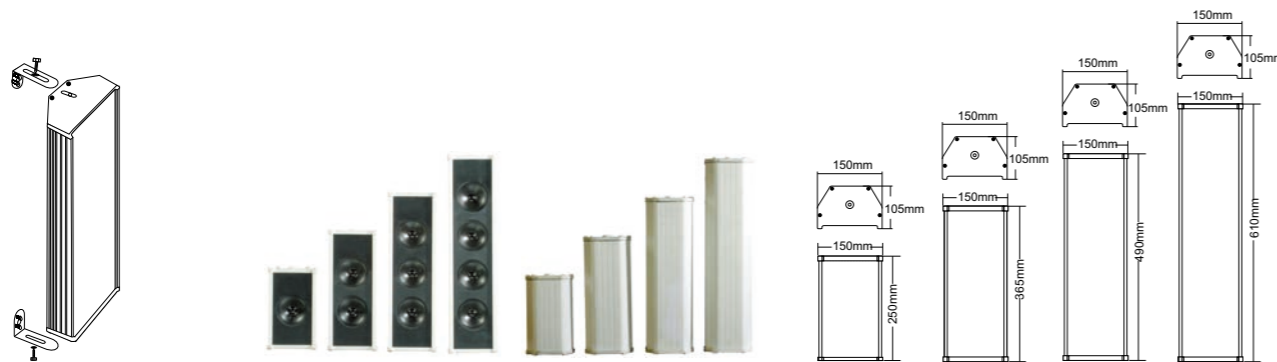
Outdoor Column Speaker

- T-901B
- T-902B
- T-903B
- T-904B



Outdoor Waterproof Aluminum Alloy Column

- T-802H
- T-803H
- T-804H



Material: aluminum

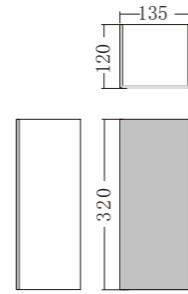
Features

Excellent waterproof performance, all metal structure, suitable for outdoor areas.

Model	T-901B	T-902B	T-903B	T-904B
Power taps @100V	5W, 10W	10W, 20W	15W, 30W	20W, 40W
Power taps @70V	2.5W, 5W	5W, 10W	7.5W, 15W	10W, 20W
Impedance	Black:Com Green:2KΩ White:1KΩ	Black: Com Green: 1KΩ White: 500Ω	Black: Com Green: 660Ω White: 330Ω	Black: Com Green: 500Ω White: 250Ω
SPL(1W/1M)	92dB±3dB	93dB±3dB	93dB±3dB	94dB±3dB
Frequency response (-10dB)	130-16KHz	130-16KHz	130-16KHz	130-18KHz
Speaker driver	4" x 1	150×105×365mm	150×105×490mm	150×105×610mm
IP rate	IP66	4" x 2	4" x 3	4" x 4
Dimensions	150 x 105 x 250mm	IP66	IP66	IP66
Weight	2Kg	2.3Kg	3.1Kg	4Kg

Model	T-802H	T-803H	T-804H
Rated Power(100V)	60W	90W	120W
Rated Power(70V)	30W	45W	60W
Max Power	120W	180W	240W
Sensitivity	92dB	93dB	94dB
Impedance	Black: COM White: 166Ω	Black: COM White: 110Ω	Black: COM White: 80Ω
Frequency response	100-20KHz	100-20KHz	100-20KHz
Drive units	4" x 2 3" x 1	4" x 3 3" x 1	4" x 4 3" x 1
Dimensions	155 x 200 x 412mm	155 x 200 x 512mm	155 x 200 x 612mm
Weight	5.2Kg	6.6Kg	8.3Kg
Material	Aluminum alloy	Aluminum alloy	Aluminum alloy

Column Speaker  
T-301R  
T-301RS



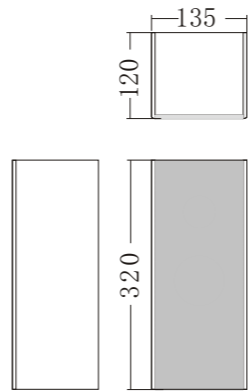
Material: wood

Features

Indoor luxury column speaker adopts high-density wood structure. The voice is clear and bright. Simple installation mode. Applicable to schools, supermarkets, hotels, shopping malls, etc.

Model	T-301RS	T-301R
Rated power	20W	10W
Maximum power		20W
SPL (1W/1M)	89dB±3dB	89dB±3dB
Impedance	Black: COM Red: 8 Ω	Black: COM Red: 8 Ω
Frequency response (-10dB)	130-18KHz	130Hz-15KHz
Speaker driver	4"×12.5"×1	4"×12.5"×1
Dimensions	135×120×320mm	135×120×320mm
Weight	2.6Kg	2.6Kg

Column Speaker  
T-301P



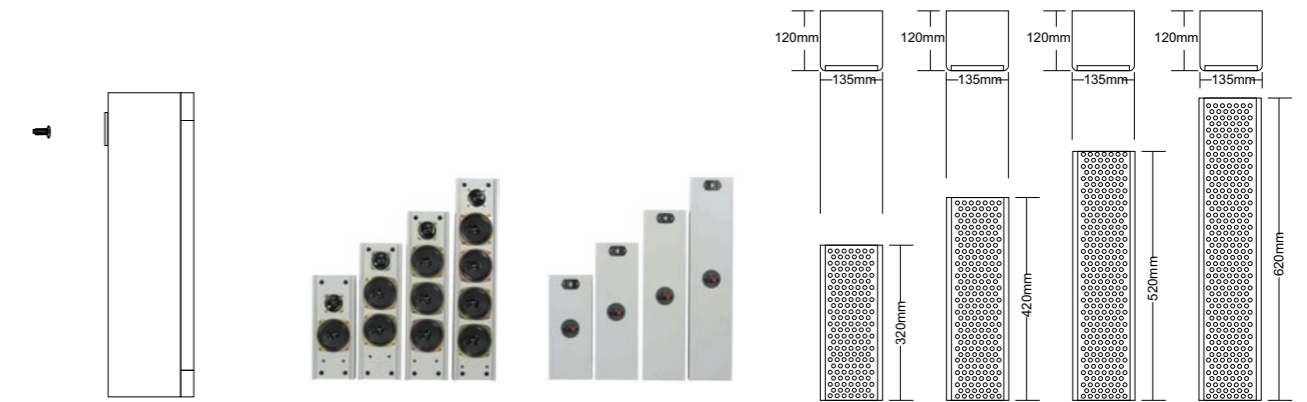
Material: wood

Note

Indoor luxury column speaker adopts high-density wood structure. The voice is clear and bright. Simple installation mode. Applicable to schools, supermarkets, hotels, shopping malls, etc.

Model	T-301P
Input	1 group of stereo input line, with independent volume adjustment
Rated power	10W
Max power	20W
SPL(1W/1M)	89dB±3dB
Frequency response (-10dB)	130Hz-18KHz
Power supply	AC 220V/50Hz
Dimensions	135×120×320mm
Weight	2.6Kg

Indoor Column Speaker  
T-301(Built-in amplifier option)  
T-302  
T-303  
T-304



Material: wood

Features

Indoor luxury column speaker adopts high-density wood structure. The voice is clear and bright. Simple installation mode. Applicable to schools, supermarkets, hotels, shopping malls, etc.

Model	T-301	T-302	T-303	T-304
Power taps @100V	10W	20W	30W	40W
Power taps @70V	5W			
Impedance	Black:Com Red:1KΩ	91dB±3dB	92dB±3dB	93dB±3dB
SPL(1W/1M)	89dB ±3dB	Black: Com Red: 500Ω	Black: Com Red: 330Ω	Black: Com Red: 250Ω
Frequency response (-10dB)	130-18KHz	130-18KHz	130-18KHz	130-18KHz
Speaker driver	4" x 1 2.5" x 1	135×120×420mm	135×120×520mm	135×120×620mm
Dimensions	135 x 120 x 320mm	4"×2 2.5"×1	4"×3 2.5"×1	4"×4 2.5"×1
Weight	2.6Kg	3.4Kg	4.4Kg	5.2Kg

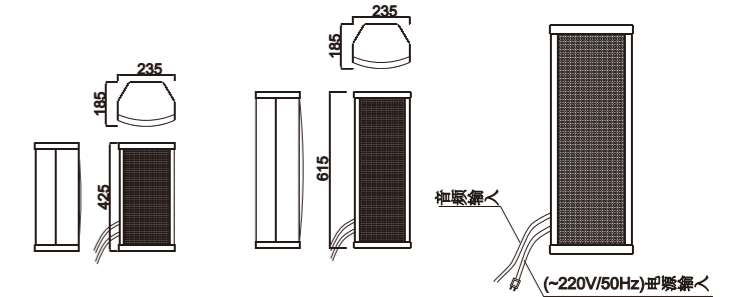
Outdoor Column Speaker

- T-901
- T-902
- T-903
- T-904



Column Speaker

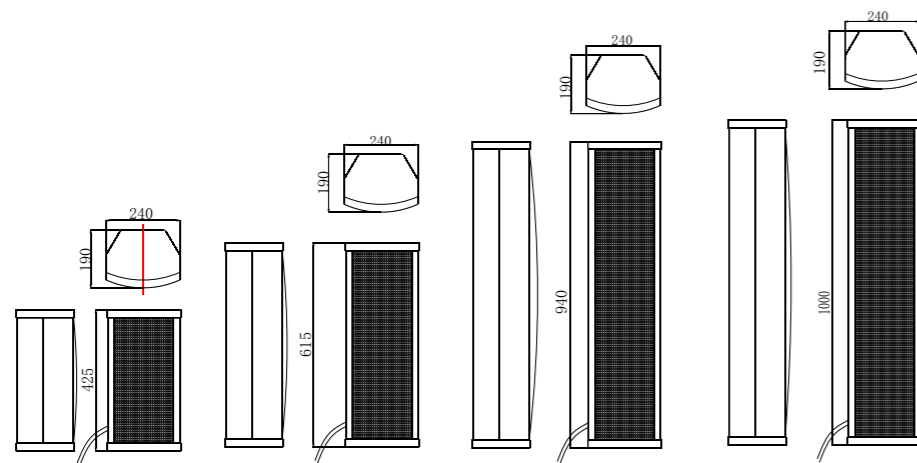
- T-901P
- T-902P



Features

Outdoor luxury active column speaker, using two frequency division, double protection of power amplifier module, with signal automatic power on and off function; Suitable for large square, community, etc.

Model	T-901P	T-902P
Rated power	20W	40W
Input	~220V 50HZ	~220V 50HZ
Sensitivity	85dB±3dB	91dB±3dB
Frequency response	110-18KHz	110-18KHz
Speaker driver	6" x 1 3" x 1	6" x 2 3" x 2
Dimensions	185 x 235 x 425mm	185 x 235 x 615mm
Weight	6Kg	8.5Kg
IP rate	Ip66	IP66



Material: iron

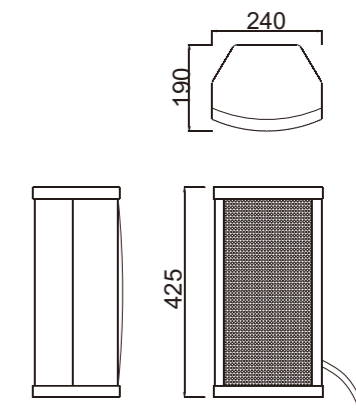
Features

High power outdoor waterproof column speaker, all metal structure, IP66 waterproof. Suitable for large square, playground and other places.

Model	T-901	T-902	T-903	T-904
Power taps @100V	30W	60W	90W	120W
Power taps @70V	15W	30W	45W	60W
SPL	89dB	91dB	93dB	94dB
Impedance	Black: Com White: 330Ω	Black: Com White: 160Ω	Black: Com White: 110Ω	Black: Com White: 80Ω
Frequency response (-10dB)	110-15KHz	110-15KHz	110-15KHz	110-15KHz
IP rate	IP66	IP66	IP66	IP66
Dimensions	240×190×425mm	240×190×615mm	240×190×940mm	240×190×1000mm
Speaker driver	6.5"×1+3"×1	6.5"×2+3"×2	6.5"×3+3"×3	6.5"×4+3"×1
Weight	5Kg	7.8Kg	11.3Kg	13Kg

Column Speaker

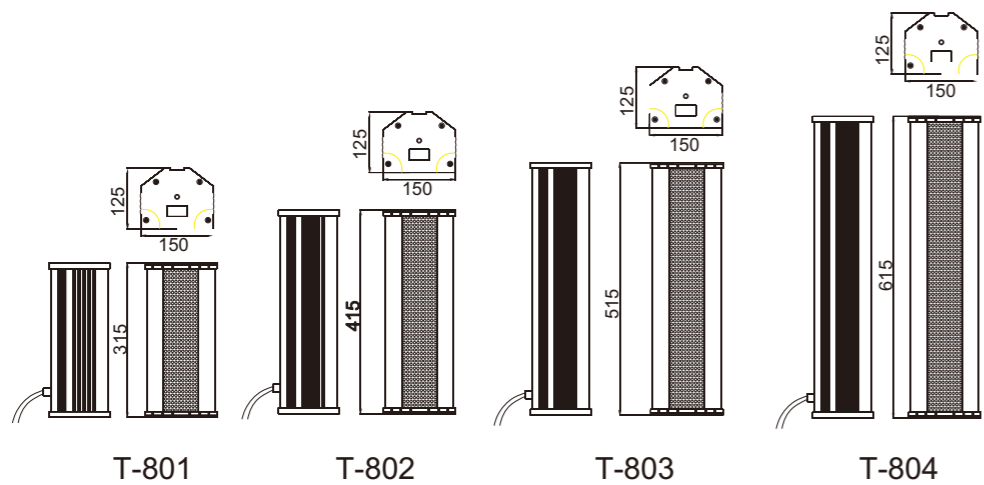
- T-901R



Model	T-901R
RaRated power	30W
Max power	60W
Sensitivity	89dB
Impedance	Black: Com White: 8Ω
Frequency response	110-15KHz
Dimensions	240×190×425mm
Speaker driver	6.5"×1,3×1"
Weight	5Kg
Material	iron

Column Speaker

- T-801
- T-802
- T-803
- T-804



Material: Aluminum alloy

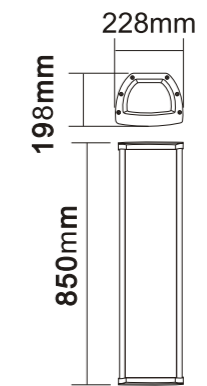
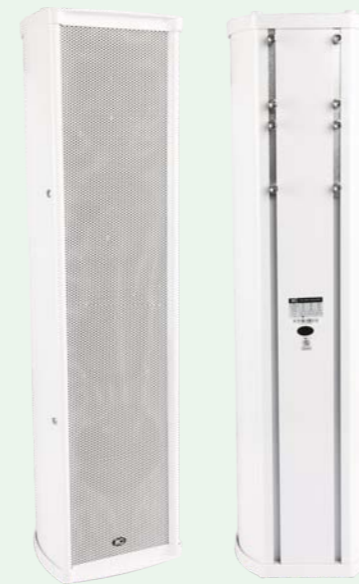
Features

The housing is made of aluminum alloy. With adjustable angle brackets, it is easy to install; With professional surface treatment technology, it is waterproof and rust-proof. Matching 2 way speaker unit, it has better sound quality.

Model	T-801	T-802	T-803	T-804
Rated power (100V)	7.5W, 15W	12.5W, 25W	17.5W, 35W	22.5W, 45W
Rated power (70V)	3.8W, 7.5W	6.2W, 12.5W	8.7W, 17.5W	11.2W, 22.5W
Sensitivity	91dB±3dB	91dB±3dB	91dB±3dB	91dB±3dB
Impedance	Black: Com White: 1.3KΩ Green: 670Ω	Black: Com White: 800KΩ Green: 400Ω	Black: Com White: 570Ω Green: 285Ω	Black: Com White: 440Ω Green: 220Ω
Frequency response	50-18KHz	50-18KHz	50-18KHz	50-18KHz
Speaker unit	4"×1 2.5"×1	4"×2 2.5"×1	4"×3 2.5"×1	4"×4 2.5"×1
IP rate	IP66	IP66	IP66	IP66
Dimensions	150×125×315mm	150×125×415mm	150×125×515mm	150×125×615mm
Weight	2.4Kg	3.2Kg	4.3Kg	5.1Kg

Column Speaker

- T-902H



Material: all aluminum alloy

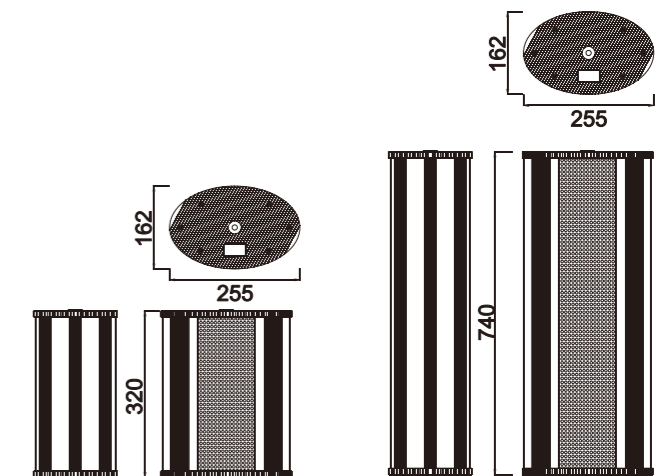
Features

Outdoor luxury active column speaker, using two frequency division design, strong directivity, wide radiation range. All aluminum alloy structure, good waterproof performance. It is suitable for outdoor sound amplification in large square, school playground, park, etc.

Model	T-902H
Power taps (100V)	200W
Sensitivity	93dB
Impedance	Black -COM White -50Ω
Frequency response	90-20KHz
IP rate	IP66
Dimensions	228×198×850mm
Speaker driver	6.5"×4
Weight	16.5Kg

Column Speaker

- T-401
- T-404



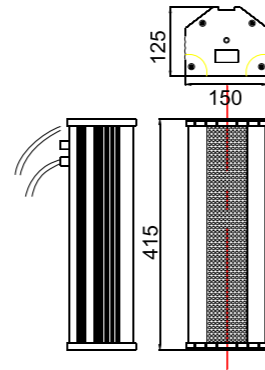
Material: aluminum alloy

Features

Adopt double-sided speaker unit design, wide sound coverage; dedicated installation bracket. Suitable for campus, square, garden , etc.

Model	T-401	T-404
Rated power	20W	80W
SPL(1W/1M)	91dB±3dB	93dB±3dB
Impedance	Black: Com Red: 500Ω	Black: Com White: 125Ω
Frequency response (-10dB)	150-14.5KHz	150-14.5KHz
Speaker driver	4"×2+ 2.5"×2	4"×8+ 2.5"×2
IP rate	IP66	IP66
Dimensions	255×162×320mm	255×162×740mm
Weight	3.8Kg	9.1Kg

Column Speaker  
T-802P



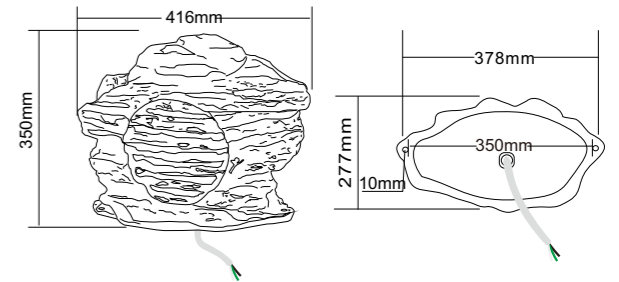
Material: Aluminium alloy

Features

The outdoor waterproof sound column is designed with binary frequency, and the power amplifier module is designed with digital D class. Switching power supply, overcurrent protection, with lower noise, higher efficiency, less power consumption. Suitable for squares, schools, etc.

Model	T-802P
Power taps	30W
Input	~220V 50Hz
Frequency response (-10dB)	80-16KHz
Speaker driver	4"x2 2.5"x1
IP rate	IP66
Dimensions	150 x 125 x 415mm
Weight	2.8kg

Landscape Garden Speaker  
T-300

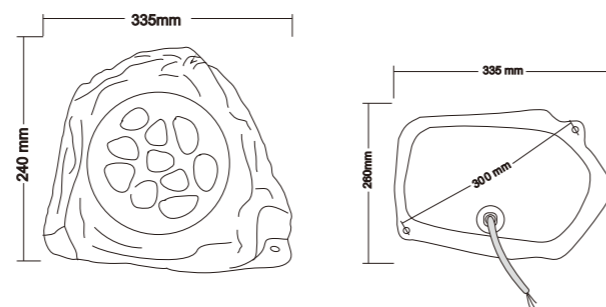


Note

Due to the continuous product updating, the color and dimension of the products are subject to the actual product. The following specification are for reference only.

Model	T-300
Power taps @100V	15W,30W
Power taps @70V	7.5W, 15W
SPL(1W/1M)	95dB
Frequency response	120Hz-15KHz
Finish	Organic resin
Speaker driver	6.5"+1.5"
IP rate	IP66
Cutout size	350mm
Unit(mm)	H:350
Weight	5.34Kg

Landscape Garden Speaker  
T-300PL

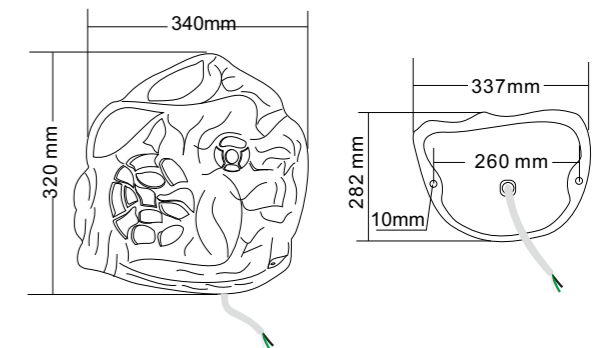


Note

Due to the continuous product updating, the color and dimension of the products are subject to the actual product. The following specification are for reference only.

Model	T-300PL
Power taps @100V	15W, 30W
Power taps @70V	7.5W, 15W
Frequency response	120Hz-16KHz
SPL	96dB
Speaker driver	5"
IP rate	IP66
Cutout size(mm)	300mm
Weight	1.9Kg
Dimensions(mm)	H:240
Finish	Polyethylene

Landscape Garden Speaker  
T-300A

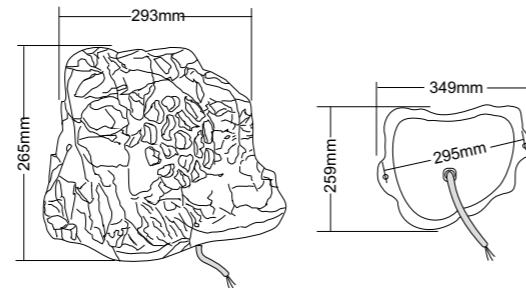


Note

Due to the continuous product updating, the color and dimension of the products are subject to the actual product. The following specification are for reference only.

Model	T-300A
Power taps @100V	25W, 50W
Power taps @70V	12.5W, 25W
SPL(1W/1M)	95dB
Frequency response (-10dB)	120Hz-15KHz
Finish	Organic resin
Speaker driver	6.5"
IP rate	IP66
Cutout size	260mm
Unit(mm)	H:320
Weight	3.95Kg

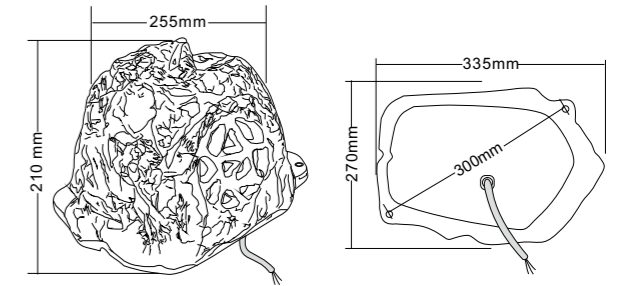
Landscape Garden Speaker  
**T-300B**



**Note**  
Due to the continuous product updating, the color and dimension of the products are subject to the actual product. The following specification are for reference only.

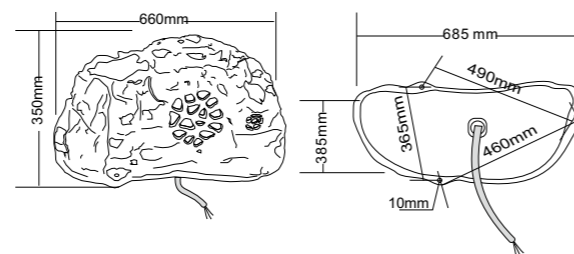
<b>Model</b>	T-300B
<b>Power taps @100V</b>	15W, 30W
<b>Power taps @70V</b>	7.5W, 15W
<b>SPL(1W/1M)</b>	95dB
<b>Frequency response (-10dB)</b>	120Hz-15KHz
<b>Finish</b>	Organic resin
<b>Speaker driver</b>	6.5"+1.5"
<b>IP rate</b>	IP66
<b>Cutout size</b>	295mm
<b>Unit(mm)</b>	H:265
<b>Weight</b>	5.14Kg

Landscape Garden Speaker  
**T-300R**



<b>Model</b>	T-300R
<b>Power taps @100V</b>	15W, 30W
<b>Power taps @70V</b>	7.5W, 15W
<b>SPL(1W/1M)</b>	96dB
<b>Frequency response (-10dB)</b>	120-16KHz
<b>Finish</b>	Organic resin
<b>Speaker driver</b>	5.5"
<b>IP rate</b>	IP66
<b>Cutout size</b>	300mm
<b>Dimensions(mm)</b>	H:210
<b>Weight</b>	3.3Kg

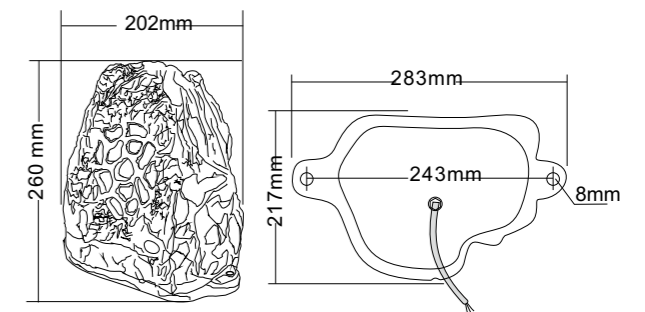
Landscape Garden Speaker  
**T-300J**



**Note**  
Due to the continuous product updating, the color and dimension of the products are subject to the actual product. The following specification are for reference only.

<b>Model</b>	T-300J
<b>Power taps @100V</b>	30W, 60W
<b>Power taps @70V</b>	15W, 30W
<b>SPL(1W/1M)</b>	96dB
<b>Frequency response (-10dB)</b>	120-16KHz
<b>Finish</b>	Organic resin
<b>Speaker driver</b>	8"+2.5"
<b>IP rate</b>	IP66
<b>Cutout size</b>	460 x 490 x 365mm
<b>Unit(mm)</b>	H:350
<b>Weight</b>	8.16Kg
<b>Dimensions(mm)</b>	685x385x350

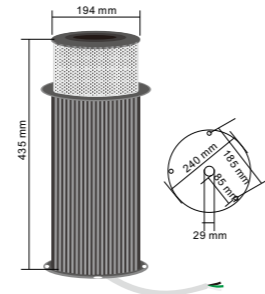
Landscape Garden Speaker  
**T-300GA**



**Note**  
Due to the continuous product updating, the color and dimension of the products are subject to the actual product. The following specification are for reference only.

<b>Model</b>	T-300GA
<b>Power taps @100V</b>	10W, 20W
<b>Power taps @70V</b>	5W, 10W
<b>SPL(1W/1M)</b>	96dB
<b>Frequency response (-10dB)</b>	160Hz-16KHz
<b>Finish</b>	Organic resin
<b>Speaker driver</b>	4"
<b>IP rate</b>	IP66
<b>Cutout size</b>	243mm
<b>Unit(mm)</b>	H:260
<b>Weight</b>	3.15Kg

Landscape Garden Speaker  
T-3100A

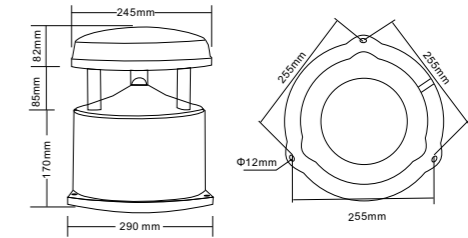


Note

Due to the continuous product updating, the color and dimension of the products are subject to the actual product. The following specification are for reference only.

Model	T-3100A
Power taps @100V	15W, 30W
Power taps @70V	7.5W, 15W
Frequency response	100Hz-10KHz
SPL	96dB
Speaker driver	6" + 3"
IP rate	IP66
Dimensions(mm)	240x240x435mm
Weight	6.6Kg
Finish	aluminium alloy shell

Landscape Garden Speaker  
T-1910S

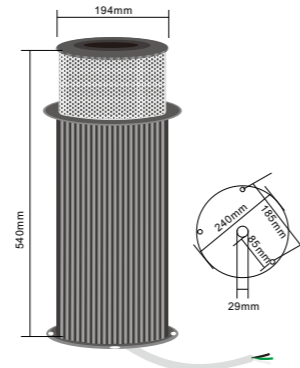


Note

Due to the continuous product updating, the color and dimension of the products are subject to the actual product. The following specification are for reference only.

Model	T-1910S
Power taps @100V	15W,30W
Power taps @70V	7.5W,15W
Frequency response	120Hz-15KHz
SPL	95dB
Speaker driver	6.5"
IP rate	IP66
Cutout size(mm)	255x255x255mm
Weight	2.8Kg
Dimensions(mm)	H:337
Finish	plastic

Landscape Garden Speaker  
T-3300A

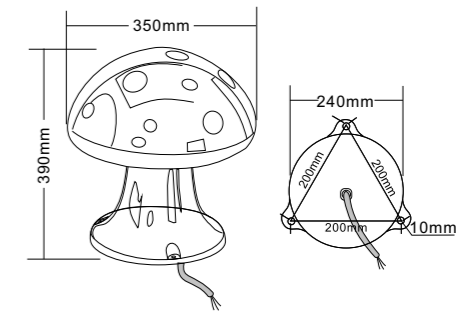


Note

Due to the continuous product updating, the color and dimension of the products are subject to the actual product. The following specification are for reference only.

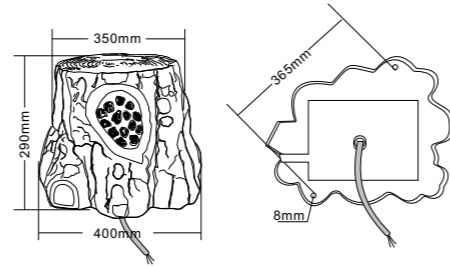
Model	T-3300A
Power taps @100V	25W, 50W
Power taps @70V	13W, 25W
Frequency response	100Hz-10KHz
SPL	96dB
Speaker driver	6" + 3"
IP rate	IP66
Dimensions(mm)	240x240x540mm
Weight	7.2Kg
Finish	aluminium alloy shell

Landscape Garden Speaker  
T-500H



Model	T-500H
Power Taps @100V	25W, 50W
Power Taps @70V	12.5W, 25W
SPL(1W/1M)	95dB
Frequency Response (-10dB)	120-15KHz
Finish	Organic resin
Speaker Driver	4"
IP Rate	IP66
Cutout Size	200 x 200 x 200mm
Dimensions(mm)	H: 390
Weight	5.49Kg

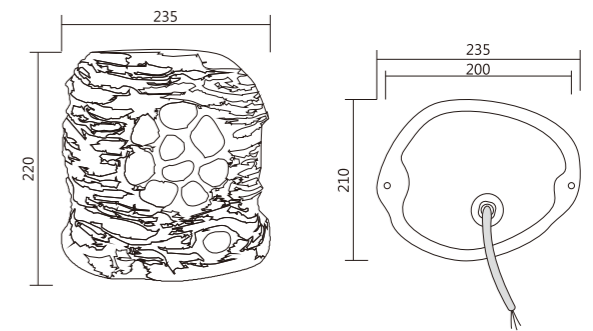
Landscape Garden Speaker  
T-700C



**Note**  
Due to the continuous product updating, the color and dimension of the products are subject to the actual product. The following specification are for reference only.

<b>Model</b>	T-700C
<b>Power taps @100V</b>	15W, 30W
<b>Power taps @70V</b>	7.5W, 15W
<b>Frequency response</b>	120Hz-15KHz
<b>SPL</b>	95dB
<b>Speaker driver</b>	5.5" + 1.5"
<b>IP rate</b>	IP66
<b>Cutout size(mm)</b>	365mm
<b>Weight</b>	4.9Kg
<b>Dimensions(mm)</b>	H:290
<b>Finish</b>	organic resin

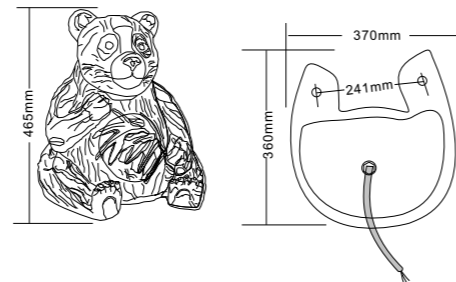
Landscape Garden Speaker  
T-310K



**Note**  
Due to the continuous product updating, the color and dimension of the products are subject to the actual product. The following specification are for reference only.

<b>Model</b>	T-310K
<b>Power taps @100V</b>	10W, 20W
<b>Power taps @70V</b>	5W, 10W
<b>Frequency response</b>	160-16KHz
<b>SPL</b>	96dB
<b>Speaker driver</b>	4"
<b>IP rate</b>	IP66
<b>Cutout size(mm)</b>	200mm
<b>Weight</b>	2.85Kg
<b>Dimensions(mm)</b>	H:210
<b>Finish</b>	organic resin

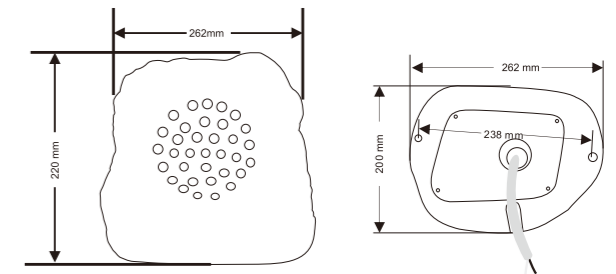
Landscape Garden Speaker  
T-900



**Note**  
Due to the continuous product updating, the color and dimension of the products are subject to the actual product. The following specification are for reference only.

<b>Model</b>	T-900
<b>Power taps @100V</b>	15W, 30W
<b>Power taps @70V</b>	7.5W, 15W
<b>Frequency response</b>	120Hz-15KHz
<b>SPL</b>	95dB
<b>Speaker driver</b>	6.5" + 1.5"
<b>IP rate</b>	IP66
<b>Cutout size(mm)</b>	241mm
<b>Weight</b>	7.18Kg
<b>Dimensions(mm)</b>	H:465
<b>Finish</b>	organic resin

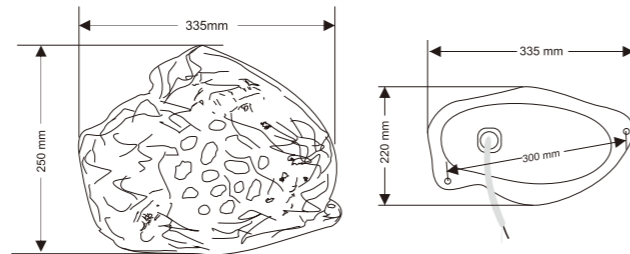
Landscape Garden Speaker  
T-300MA



**Note**  
Due to the continuous product updating, the color and dimension of the products are subject to the actual product. The following specification are for reference only.

<b>Model</b>	T-300MA
<b>Power taps @100V</b>	20W
<b>Power taps @70V</b>	10W
<b>Frequency response</b>	160Hz-16KHz
<b>SPL</b>	96dB
<b>Speaker driver</b>	4"
<b>Cutout size(mm)</b>	238mm
<b>Weight</b>	1.7Kg
<b>Dimension(mm)</b>	262*200*220
<b>Material</b>	Organic resin

Garden Speaker  
T-300MJ



Note

Due to the continuous product updating, the color and dimension of the products are subject to the actual product. The following specification are for reference only.

Model	T-300MJ
Power(100V)	20W
Power(70V)	10W
Frequency response	160Hz-16KHz
SPL	96dB
Speaker driver	4"
Cutout size(mm)	300mm
Weight	2.5Kg
Dimension(mm)	335*220*250
Material	Organic resin

Compact linear array speaker  
T-802HY



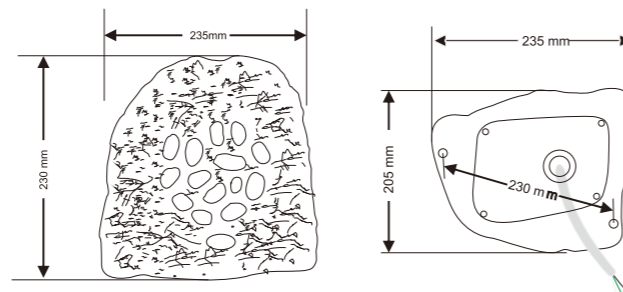
Features

- \* Two-way compact speaker system.
- \* The system shell is designed with high-strength corrosion-resistant aluminum alloy material, with adjustable directivity, which can achieve constant directivity control in a wide frequency range.
- \* Support the reproduction of clear sound in a space with long reverberation time or high background noise.
- \* Outdoor dedicated.

Application

- \* Airports, high-speed railway stations, subway stations;
- \* Various meeting places;
- \* Outdoor concert venue.
- \* Shopping centers and other places.

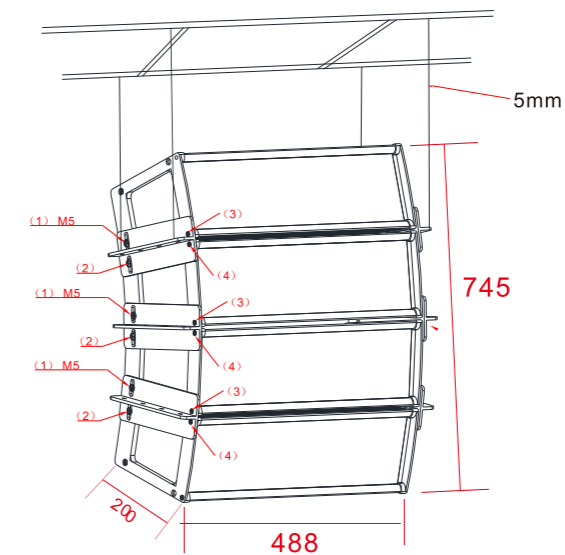
Landscape Garden Speaker  
T-300MG



Note

Due to the continuous product updating, the color and dimension of the products are subject to the actual product. The following specification are for reference only.

Model	T-300MG
Power(100V)	20W
Power(70V)	10W
Frequency response	160Hz-16KHz
SPL	96dB
Speaker driver	4"
Cutout size(mm)	230mm
Weight	1.65Kg
Dimension(mm)	230*205*230
Finish	Organic resin



Specifications

Model	T-802HY
Speaker unit	4.5" x 4 mid bass +4 hard ball top treble
Cross frequency	4kHz
Impedance	16Ω
Frequency response	95Hzto20kHz@-10dB
SPL(1m,1W)	99dB(15°);98dB(30°);97dB(45°);96dB(60°)
MAX SPL	102dB±3dB
Speaker wire	2 core cabtyre wire, diameter 6 mm
Rated power	200W
Peak power	800W
Operating temperature	-15°C~ +50°C
Cover	Aluminum alloy, white
Dimensions	745x200x488mm
Weight	16kg